

- Three-in-one handwasher drier
- Highly energy and water efficient
- Hygienic and easily cleaned
- Space Saving and cost effective

MODEL AND OPERATION

The Thrii provides users with a three-in-one soap, water and drying service all from one ergonomically designed unit. When the user places their hands in to the bowl area of the unit, an infra-red sensor triggers the start of the unit's operation. This minimizes energy consumption when the unit is not in use. In its standard setting, the unit commences operation by dispensing soap, followed by water, and finally the drying operation. The drying operation will continue for a pre-set period of time, or cease if the user withdraws their hands before this time has elapsed. Different colored lights in the bowl area of the unit indicate the specific stage of operation.

The factory default setting for the Thrii is Soap > Water > Drying, as this is the most popular requirement and suits most general applications. It can, however, be configured to operate in a different sequence to suit more specialized requirements if required. The product can be reconfigured on site by the user and programming is very flexible.

ANTI-MICROBIAL

The fascia of the solid surface Thrii units are manufactured with an anti-microbial agent. The agent is present both on the surface and on the inside of the material and will not dissipate or scratch off. In contact with moisture, anti-microbial ions will be released and effectively kill bacteria.



SOAP

There are 2 settings for soap delivery, LIQUID (default) or FOAM. A range of liquid soaps are available from Intersan. Standard liquid soaps can be used as well.

WATER

Water is programmed to run for 10 seconds. There will be a delay between the water cycle and the dryer cycle of 3 seconds. Other cycles can be programmed in the field.



WARNING: Cancer and Reproductive Harm
www.P65Warnings.ca.gov



THRII-AW



THRII-SS

DRYING

There are three dryer speed settings. The dryer time is factory set at 35 seconds. Shorter cycles can be programmed in the field.

TECHNICAL SPECIFICATIONS

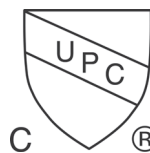
- Fascia material: anti-microbial solid surface or stainless steel
- Water flow: 0.47 gpm
- Standard water cycle: 10 secs (or 0.08 gallons of water per cycle)
- Standard integral instantaneous water heater
- Certification: cUPC (IGC 127-2009 & ANSI A117.1)
- Drain size: 1 1/4"
- Supply: 1/2" cold water
- Electrical supply: 12A, 120V, 60 hz, 2.6 to 3.1 kW

APPLICATION

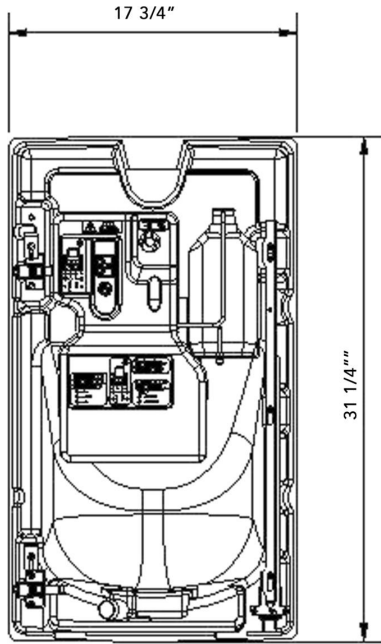
The Thrii is intended exclusively for hand washing. It is not designed to dispense water for drinking or use in the preparation of food and beverages.

ACCESSIBILITY

Standard Height: The Thrii-ADA is designed to meet all ADA and TAS guidelines when mounted according to the ADA installation instructions. The Thrii is compliant with ADA requirements for operation.

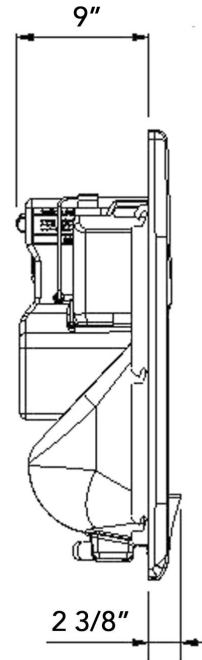


Front View Solid Surface Thrii

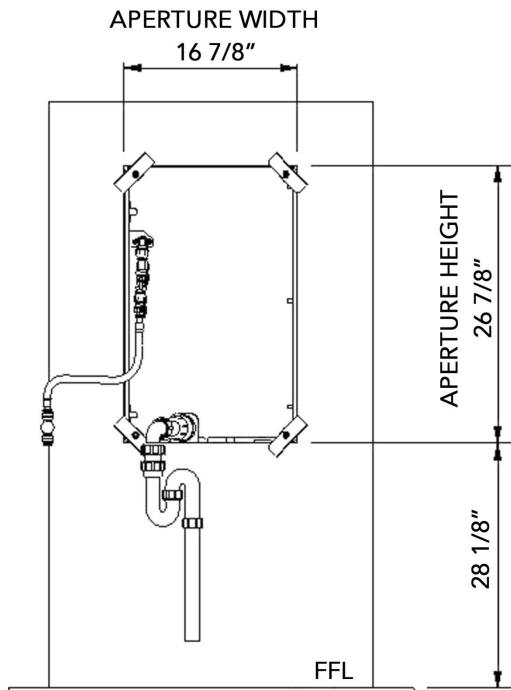


Note: a cavity depth of 9 7/8" is required

Side View Solid Surface Thrii

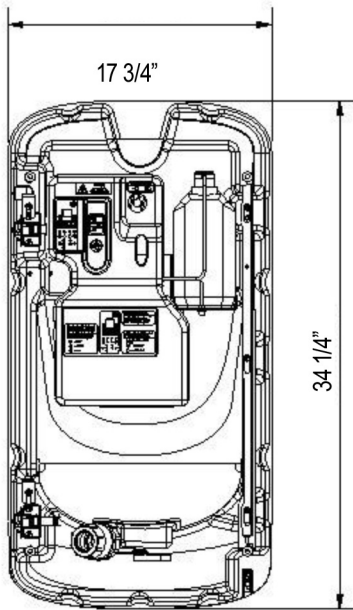


Site Preparation Solid Surface Thrii

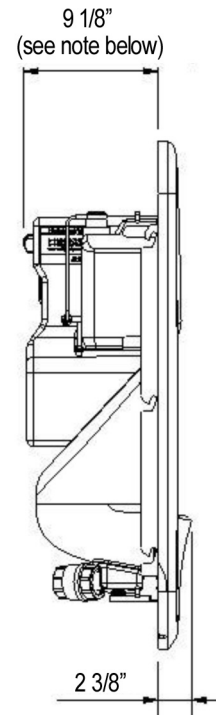


Note: hinge position on the right hand side when looking from the front

Front View Stainless Steel Thrii

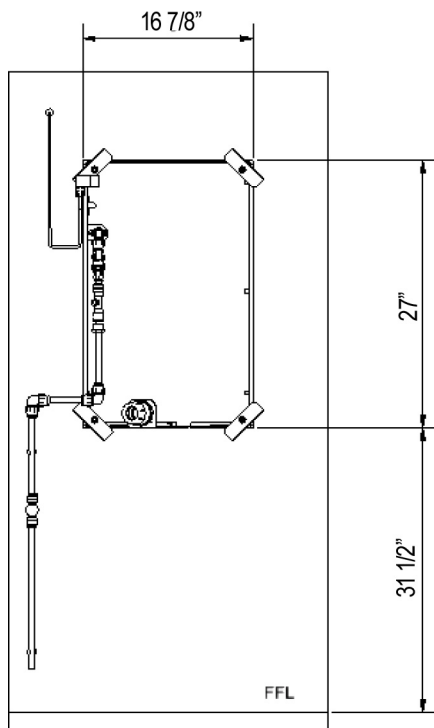


Side View Stainless Steel Thrii



Note:
 Wall Cavity depth of 10" is required

Site Preparation Stainless Steel Thrii



Note: hinge position on the right hand side when looking from the front

Base Model Number (must specify)

- THRII + color Solid surface front, ADA compliant
- THRII-SS Stainless steel front, ADA compliant

Color (must specify in case of solid surface front)

Standard colors:

- AB Adobe brown
- AW Ash white
- CG Country green
- DS Desert sand
- MB Midnight blue
- MG Misty grey
- PB Pearl black
- TG Twilight grey

Solid colors:

- PW Polar white
- CLG Classic grey
- DB Designer black
- BI Biscuit

Custom settings

- FS Foam soap
- Wxx Water running time (xx = time in seconds)