

- Made from anti-bacterial Solidsan
- Single supply and drain for multiple users
- 5 year warranty on material, 3 year warranty on components.

SDC02 – Two user Solidwave Classic  
**TECHNICAL INFORMATION**

**Material & Construction**

The countertop is made from anti-microbial Solidsan. Solidsan is a composite material of acrylic polyester polymer resins and aluminum trihydrate fillers. The material is resistant to stains and burns and complies with ANSI Z124.3. Solidsan cleans easily with Scotchbrite®, household cleaners or fine grit sandpaper. Solidsan® is available in 16 colors.

The Solidwave Classic includes heavy gauge steel powder coated support brackets.

**Anti-microbial**

The Solidsan bowl and sides are manufactured with an anti-microbial agent. The agent is present both on the surface and on the inside of the material and will not dissipate or scratch off. In contact with moisture, anti-microbial ions will be released and effectively kill bacteria.

**Standard Equipment:**

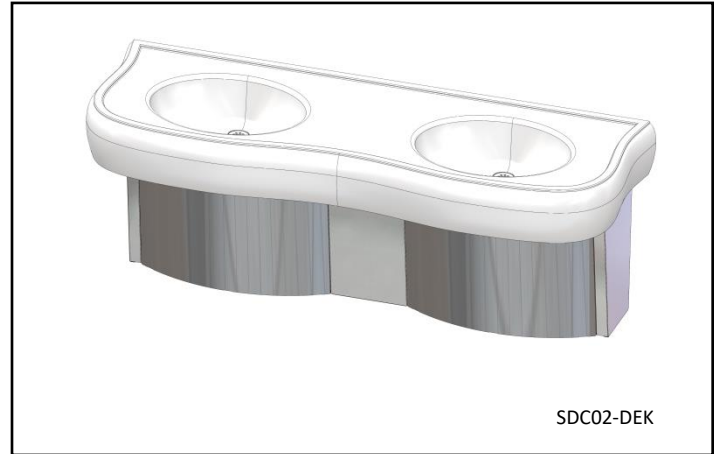
Countertop in anti-bacterial solid surface material, steel mounting brackets, steel bottom plate, stainless steel skirt, chrome strainer & tail piece, chromed brass drain manifold & supply manifold if supplied with Intersan's faucets.

**Optional Equipment:**

The Solidwave Classic can be supplied with any of Intersan's faucets or can be drilled for faucets by others.

**Application**

The Solidwave Classic is intended exclusively for hand washing. It is not designed to dispense water for drinking or use in the preparation of food and beverages.



SDC02-DEK

**LEED Compliance**

When supplied with Intersan's faucets, The Solidwave Classic contributes to meeting LEED requirements in the following categories:

- WEp1 - Water Efficiency
- WEC3 - Water Use Reduction

Each nozzle has a standard flow rate of 0.35 gpm.

**Accessibility**

Standard Height: The Solidwave Classic is designed to meet all ADA and TAS guidelines when mounted at the standard rim height of 34".

When used in combination with one of Intersan's faucets, the wash basin is compliant with ADA requirements for operation.

**Lead Free**

The Solidwave Classic with any of Intersan's faucets will be compliant with NSF/ANSI 372 meeting the Lead-Free content requirement.

**Warranty:** 5 years limited warranty on material and 3 years limited warranty on components.

**SAMPLE SPECIFICATION**

Fixture shall be Intersan Solidwave Classic two user hand wash station. Countertop is made from anti-microbial solid surface. The unit will have a stainless steel skirt and will have no overflow. The unit will be 60" wide.

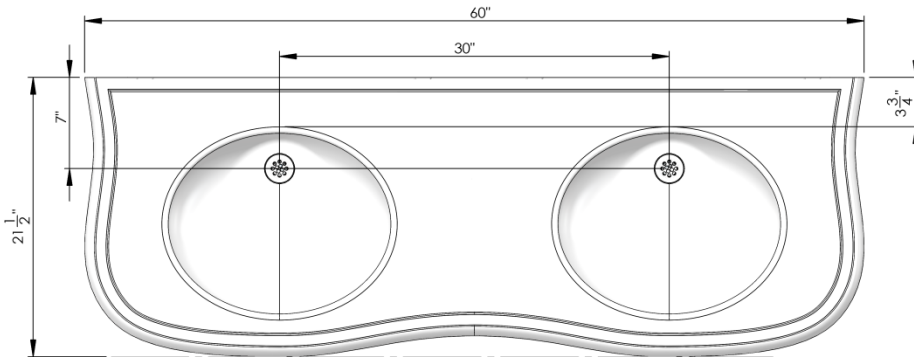
The unit is furnished with a *Line6/Line7/Line8* faucet.



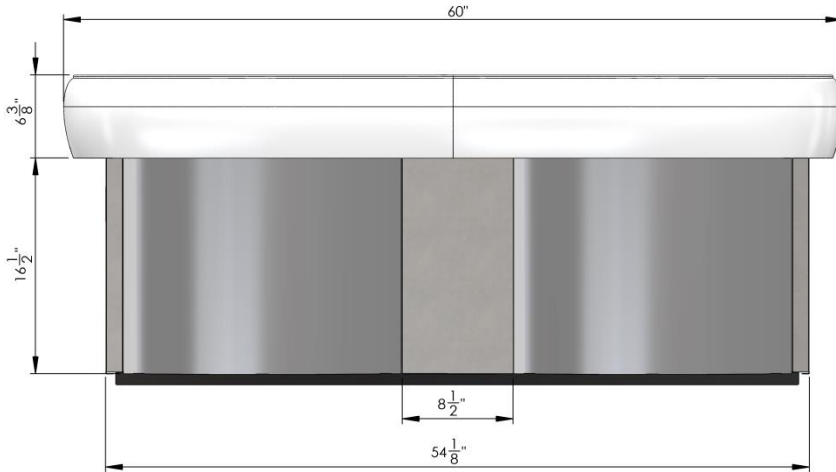
WARNING: Cancer and Reproductive Harm  
[www.P65Warnings.ca.gov](http://www.P65Warnings.ca.gov)



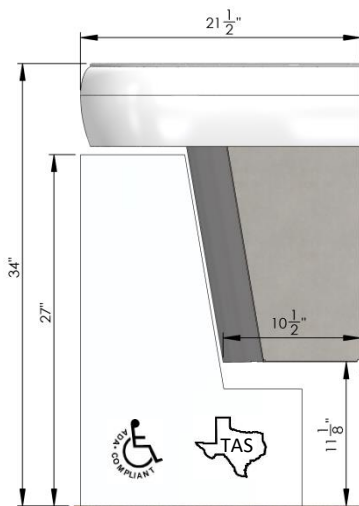
**Top View**



**Front View**



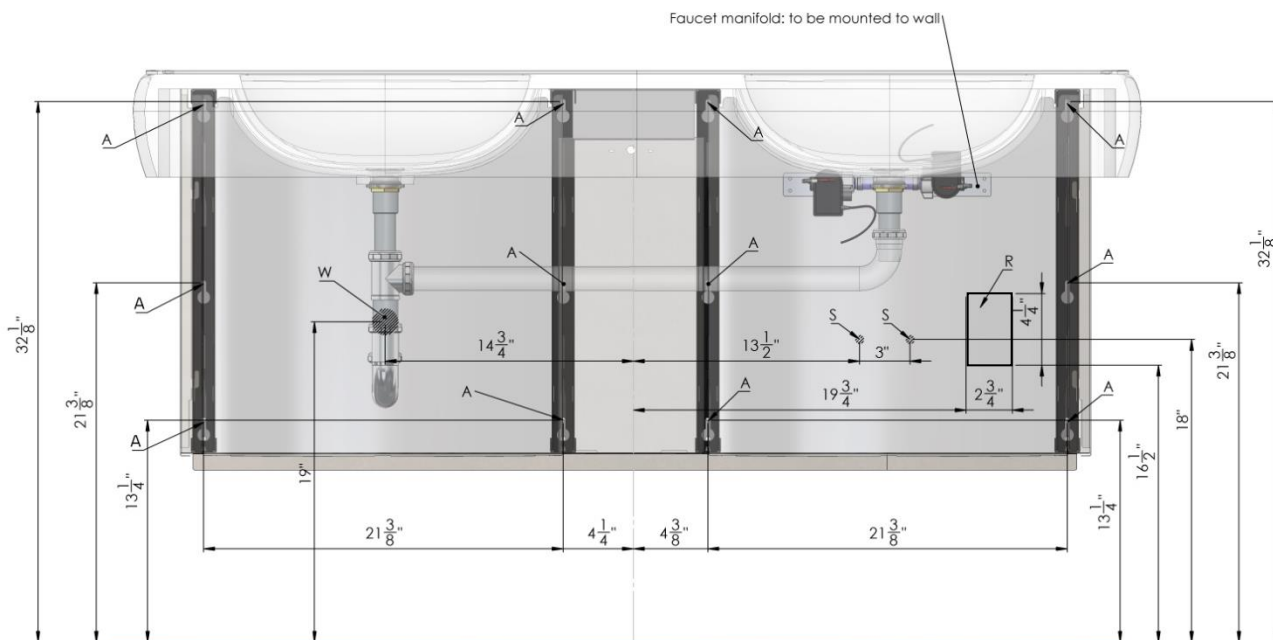
**Side View – Mounted at Standard ADA Height**



SDC02 - series  
**Solidwave Classic** - Two user lavatory system



Rough-in Dimensions SDC02



\* All vertical measurements are measured from the FINISHED floor

Code	Description
A	1/4" Anchors for support brackets with a pull out strength of min. 1000 lbs./
W	1 1/2" NPT Drain, stub out 2"
S	1/2" copper tubing for hot& cold supplies, stub out 2" from wall
R	110V GFCI outlet

SDC02 - series  
**Solidwave Classic** - Two user lavatory system



<b>Base Model Number (must specify)</b>	
<input type="checkbox"/> SDC02	Two user Solidwave Classic
<b>Operation (must specify):</b>	
<input type="checkbox"/> -L06	Line 6 faucet
<input type="checkbox"/> -L07	Line 7 faucet
<input type="checkbox"/> -L08	Line 8 faucet
<input type="checkbox"/> -DEK	No faucets, deck only
<b>Supply (for units with Intersan faucets only):</b>	
<input type="checkbox"/> -TEM	Tempered or cold water
<input type="checkbox"/> -TMV	Thermostatic mixing valve (hot & cold water)
<b>Colors (must specify):</b>	
<b>Standard Colors:</b>	
<input type="checkbox"/> -AB	Adobe brown
<input type="checkbox"/> -AW	Ash white
<input type="checkbox"/> -CG	Country Green
<input type="checkbox"/> -DS	Desert sand
<input type="checkbox"/> -MB	Midnight blue
<input type="checkbox"/> -MG	Misty grey
<input type="checkbox"/> -PB	Pearl black
<input type="checkbox"/> -TG	Twilight grey
<b>Designer Colors:</b>	
<input type="checkbox"/> -AL	Almondine
<input type="checkbox"/> -BW	Birch Wood
<input type="checkbox"/> -BN	Bone
<input type="checkbox"/> -CB	Canyon Brown
<input type="checkbox"/> -CC	Chocolate Chip
<input type="checkbox"/> -DE	Desert Snow
<input type="checkbox"/> -DB	Designer Black
<input type="checkbox"/> -GW	Glacier White
<input type="checkbox"/> -LB	Lotus Blossom Green
<input type="checkbox"/> -NB	Neptune Blue
<input type="checkbox"/> -OW	Oyster White
<input type="checkbox"/> -RR	River Rock
<input type="checkbox"/> -TB	Tranquil Blue
<b>Solid Colors:</b>	
<input type="checkbox"/> -BI	Biscuit
<input type="checkbox"/> -CG	Country Grey
<input type="checkbox"/> -DB	Designer Black
<input type="checkbox"/> -PW	Polar White
<b>Soap:</b>	
<input type="checkbox"/> -	No soap
<input type="checkbox"/> -SD7	Line 7 Soap dispenser
<input type="checkbox"/> -SD8	Line 8 Soap dispenser
<b>Other Options:</b>	
<input type="checkbox"/> -HW	Low voltage class II transformer with plug (1 per faucet)
<input type="checkbox"/> -CS	Drilling of 1 1/4" hole for centerset faucet
<input type="checkbox"/> -4C	Drilling of 3 x 1 1/4 hole for 4" center faucet
<input type="checkbox"/> -2L	2.0 gpm laminar nozzle (splashing may occur)
<input type="checkbox"/> -1.5L	1.5 gpm laminar nozzle (splashing may occur)