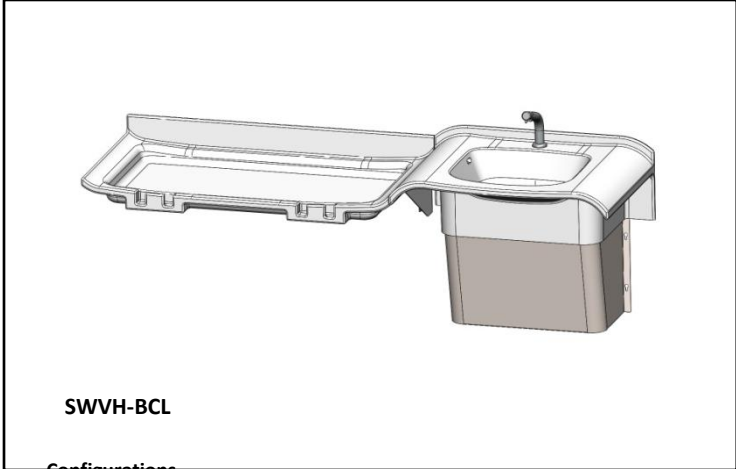


- Made from anti-bacterial Solidsan
- ADA-compliant & TAS Compliant

-BSL/-BSR - option  
**TECHNICAL INFORMATION**



**Configurations**

**Material & Construction**

The baby changing table is made from anti-microbial Solidsan. Solidsan is a composite material of acrylic polyester polymer resins and aluminum trihydrate fillers. The material is resistant to stains and burns and complies with ANSI Z124.3. Solidsan cleans easily with Scotchbrite®, household cleaners or fine grit sandpaper. Solidsan® is available in 16 colors.

The Solidwave High-Low includes heavy gauge stainless steel support brackets.

**Anti-microbial**

The Solidsan baby changing station is manufactured with an anti-microbial agent. The agent is present both on the surface and on the inside of the material and will not dissipate or scratch off. In contact with moisture, anti-microbial ions will be released and effectively kill bacteria.



**Standard Equipment:**

Baby changing table in anti-bacterial solid surface material, steel mounting bracket, safety strap, two purse hooks and warning sticker.

The baby changing table option can be attached to any Solidwave High-Low lavatory system. The baby changing table can only be attached to the high side of the Solidwave High-Low.

**Accessibility**



Standard Height: The Solidwave High-Low baby changing table is designed to meet all ADA and TAS guidelines when the Solidwave High-Low is mounted at the standard rim height of 34" for the high station.



WARNING: Cancer and Reproductive Harm  
[www.P65Warnings.ca.gov](http://www.P65Warnings.ca.gov)

**Warranty:** 5 years limited warranty on material and 3 years limited warranty on components.

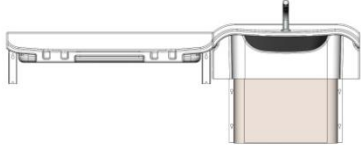
**SAMPLE SPECIFICATION**

Fixture shall include an integral baby changing table with safety strap. The baby changing table shall be 42" by 22" and include two integral hooks. The baby changing table shall be made of anti-microbial solid surface

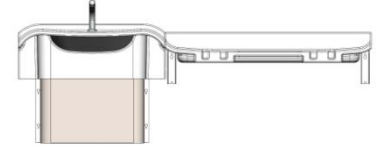
<b>Baby Changing Station Option (must add to Solidwave High-Low model number)</b>	
<input type="checkbox"/> -BCL	Baby changing table - left
<input type="checkbox"/> -BCR	Baby changing table - right

## Configurations

### Single User

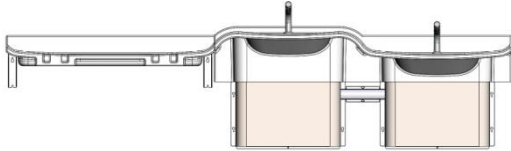


SWVH-BCL

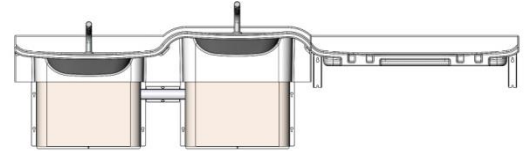


SWVH-BCR

### Two User

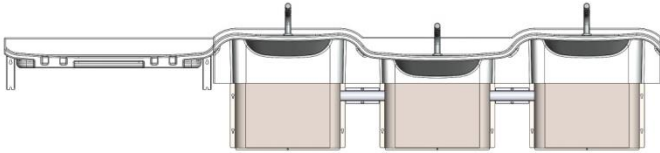


SWVHL-BCL

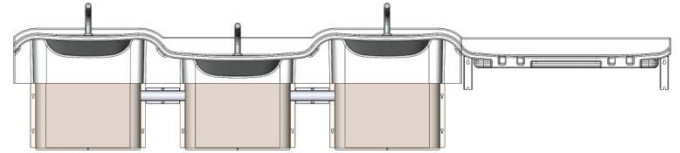


SWVLH-BCR

### Three User

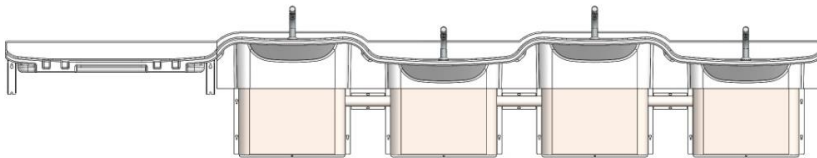


SWVHLH-BCL



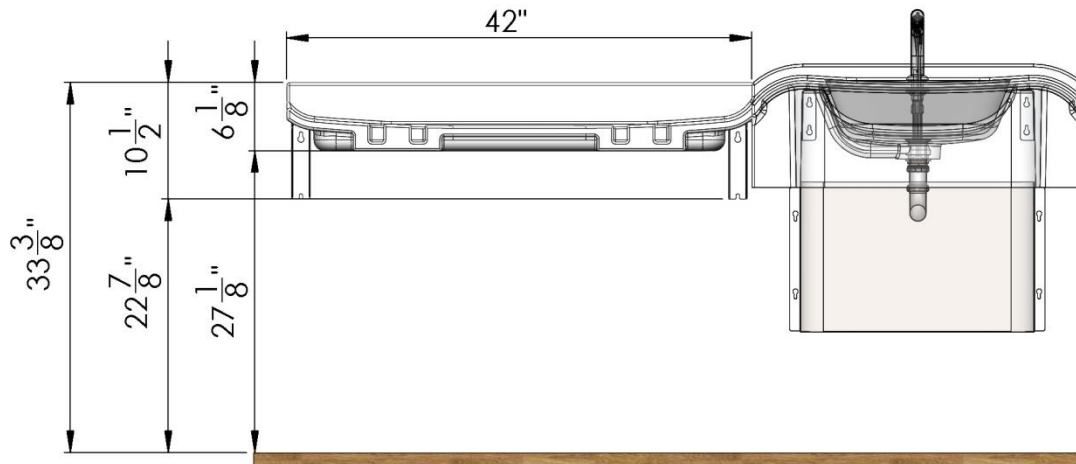
SWVHLH-BCR

### Four User

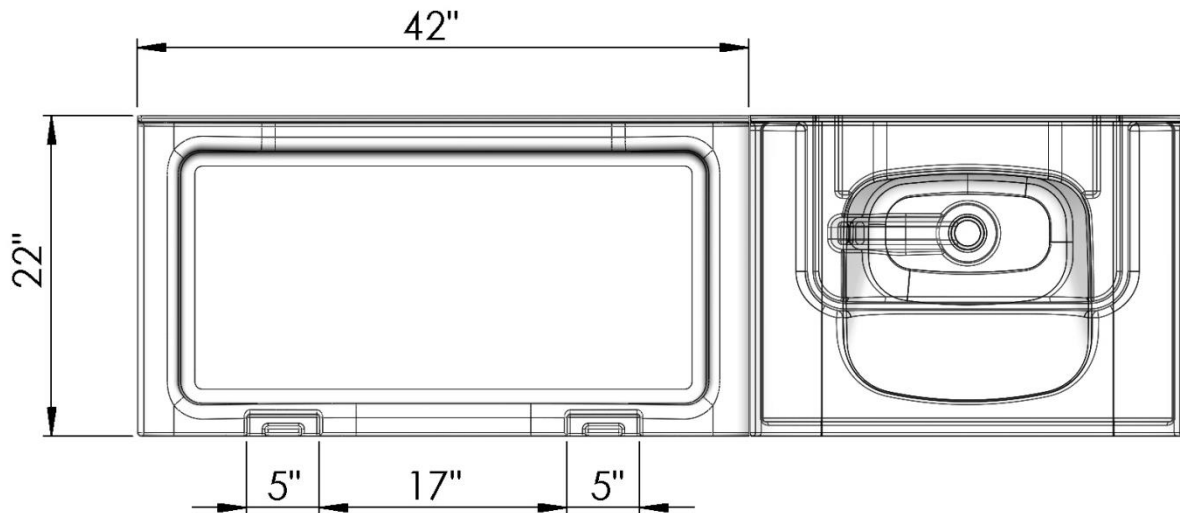


SWVHLHL-BCL

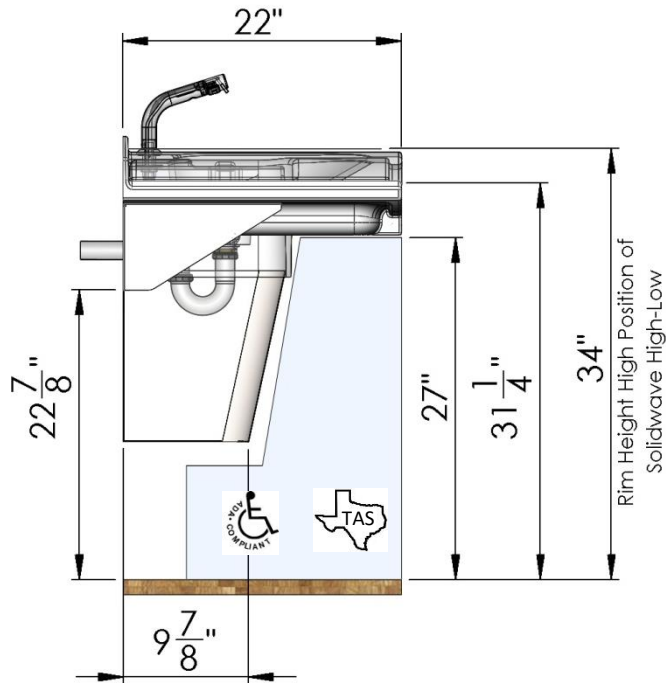
## Front View



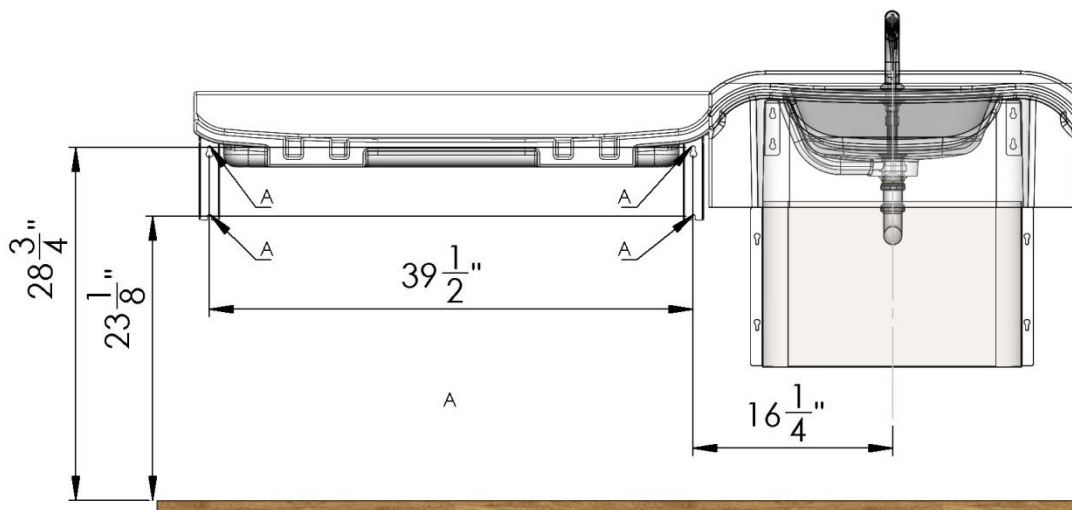
## Top View



## Side View (high handwash station at 34" rim height)



## Rough-in Dimensions



Code	Description
A	1/4" Anchors for baby changer with a pull out strength of min. 1000 lbs.

## Height Adjustments

Standard	Rim Height	Adjustment of height for A, B, C, H, R & W
ADA & TAS Adult	34"	None

**WARNING: Be sure to use anchors with a pull out strength of 1000 lbs. Additional reinforced backing behind the wall might be required to properly mount the baby changing station and lavatory system.**

**WARNING: Every Solidwave High-Low with the baby changing station option is supplied with a warning sticker. It is very important that the sticker is placed right above the baby changing station. Failing to do so might result in serious injury.**

**! WARNING**

**! WARNING** Never leave child unattended.

**! WARNING** Avoid serious injury from falling or sliding out. Always use restraint.

**! WARNING** Designed for infants only. Age up to 3.5 years and weighing less than 50 lb. Keep one hand on the child at all times.

Intersan Manufacturing Company - www.intersanUS.com