

- Made from anti-bacterial Solidsan®;
- ADA-compliant & TAS Compliant;
- Can contribute to LEED requirements
- 5 year warranty on material, 3 year warranty on components.



SL1B–Single user Streamlav
TECHNICAL INFORMATION

Material & Construction

The countertop is made from anti-microbial Solidsan®. Solidsan® is a composite material of acrylic polyester polymer resins and aluminum trihydrate fillers. The material is resistant to stains and burns and complies with ANSI Z124.3. Solidsan® cleans easily with Scotchbrite®, household cleaners or fine grit sandpaper. Solidsan® is available in 16 colors.

The Streamlav includes a heavy 18 gauge steel support frame. The frame is pre-assembled. The front skirt is made from 20 gauge type 304 stainless steel.

The Streamlav is supplied with a 1 1/2" chromed brass grid strainer.

Anti-microbial

The Solidsan® bowl and sides are manufactured with an anti-microbial agent. The agent is present both on the surface and on the inside of the material and will not dissipate or scratch off. In contact with moisture, anti-microbial ions will be released and effectively kill bacteria.



Activation & Water Distribution

The Streamlav is available with different faucet options.

Standard Equipment: One-piece bowl in anti-bacterial solid surface material, solid surface side covers, stainless steel mounting frame and skirts and tail piece.

Optional Equipment:

The Streamlav can be supplied with any of Intersan's faucets or can be drilled for faucets by others.

Tankless Water heater:

The optional tankless water heater has an advanced microprocessor control.

	Phase	KW	Amps	Circuit breaker requirement	Temp. increase at 1 gpm
208 VAC	1	7.2	35	40A	49°F
240 VAC	1	9.6	40	50A	65°F

Water temperature set between 86°F and 125°F and can be controlled by setting a dial. The water temperature required by codes can thus be dialed in at the unit. The unit's anti-scalding feature prevents the temperature of the water to go above 125°F.

LEED Compliance



When supplied with Intersan's faucets, The Streamlav contributes to meeting LEED requirements in the following categories:

- WEp1 - Water Efficiency
- WEC3 - Water Use Reduction

Each nozzle has a flow rate of 0.5 gpm. The water cycle for the pushbutton operated units lasts 10 seconds which means that 0.083 gallons of water is used per cycle.

Accessibility



Standard Height: The Streamlav is designed to meet all ADA and TAS guidelines when mounted at the standard rim height of 34".

Juvenile Height: The Streamlav complies with ADA and TAS guidelines for the various juvenile categories when mounted at the proper rim height.

Installer needs to provide anti-scald protection for the p-trap.

Drain size is 1 1/2"

Warranty: 5 years limited warranty on material and 3 years limited warranty on components.

SAMPLE SPECIFICATION

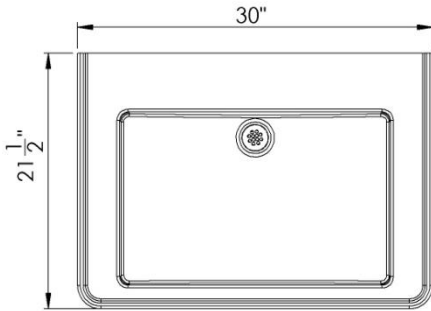
Fixture shall be Intersan Streamlav single user handwash station. Countertop and side panels are made from anti-microbial solid surface. Front cover plate and frame assembly are constructed of 304 stainless steel

The unit is furnished with a *Line6/Line7/Line8 faucet, and optional tankless water heater.*

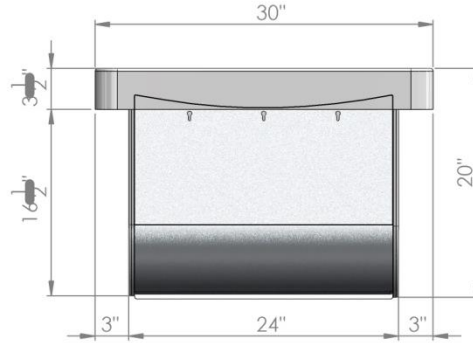


WARNING: Cancer and Reproductive Harm
www.P65Warnings.ca.gov

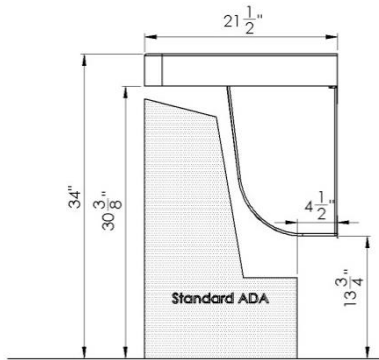
Top View



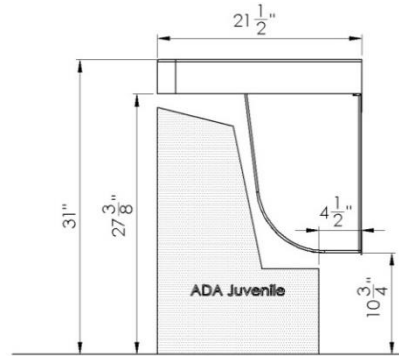
Front View



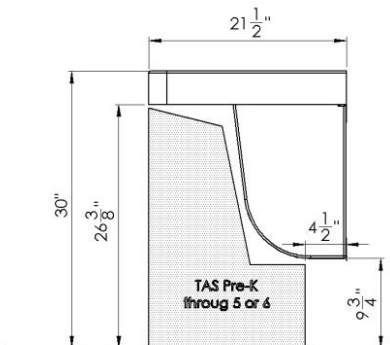
Side View Standard Height



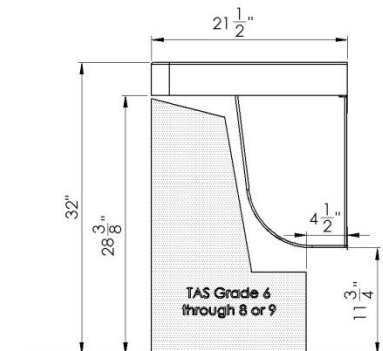
Side View Juvenile Height Ages 6-12



Side View TAS Height Grades Pre-K Through 5 or 6

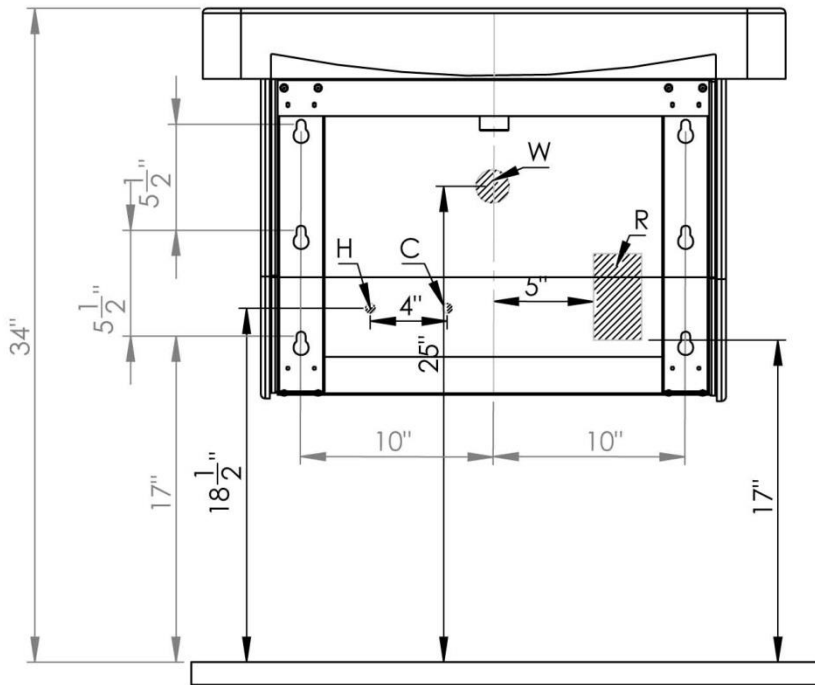


Side View TAS Height Grades 6 through 8 or 9



Rough-in Dimensions

All information including dimensions, changes in design and material are subject to manufacturer's change without formal notice and without obligation. Intersan assumes no responsibility for use of superseded or voided information. Verify all rough-in information before installation. It is the responsibility of the installer to conform to local and national codes.



Code	Description
A	3/8" Anchors
W	1 1/2" NPT Drain

Height Adjustments

Standard	Rim Height	Adjustment of height for A & W
ADA & TAS Adult	34"	None
ADA Juvenile, Ages 6 - 12	31"	Subtract 3" from height in drawing
TAS, Grades 6 through 8 or 9	32"	Subtract 2" from height in drawing
TAS, Pre-K through Grades 5 or 6	30"	Subtract 4" from height in drawing

Base Model Number (must specify)

- SL01-B** Single user Streamlav – Stainless skirt

Operation (must specify):

- L06 Line 6 faucet
 -L07 Line 7 faucet
 -L08 Line 8 faucet
 -DEK No Faucets

Supply (must specify):

- TEM Tempered or cold water
 -TMV Thermostatic mixing valve (hot & cold water)
 -STE 240V instantaneous water heater

Colors (must specify):**Standard Colors:**

- AB Adobe brown
 -AW Ash white
 -CG Country Green
 -DS Desert sand
 -MB Midnight blue
 -MG Misty grey
 -PB Pearl black
 -TG Twilight grey

Designer Colors:

- AL Almondine
 -BW Birch Wood
 -CB Canyon Brown
 -CC Chocolate Chip
 -DE Desert Snow
 -GW Glacier White
 -LB Lotus Blossom Green
 -GW Glacier White
 -NB Neptune Blue
 -OW Oyster White
 -RR River Rock
 -TB Tranquil Blue

Solid Colors:

- BI Biscuit
 -CO Country Grey
 -DB Designer Black
 -PW Polar White

Stand Alone soap dispensers

- SD6 Line 6 soap dispenser
 -SD7 Line 7 soap dispenser

Other Options (for units with Intersan faucets only):

- HW Low voltage class II transformer with plug (1 per faucet)*