

- Made from anti-bacterial Solidsan®;
- ADA-compliant& TAS Compliant;
- Can contribute to LEED requirements
- 5 year warranty on material, 3 year warranty on components.

SL02-B-SEN–Two user Streamlav  
**TECHNICAL INFORMATION**

**Material & Construction**

The countertop, skirt sides and water distribution head are made from anti-microbial Solidsan®. Solidsan® is a composite material of acrylic polyester polymer resins and aluminum trihydrate fillers. The material is resistant to stains and burns and complies with ANSI Z124.3. Solidsan® cleans easily with Scotchbrite®, household cleaners or fine grit sandpaper. Solidsan® is available in 27 colors.

The Streamlav includes a heavy 18 gauge stainless steel support frame. The frame is pre-assembled. The front skirt is made from type 304 stainless steel 20 gauge.

The Streamlav is supplied with a 1 1/2” chromed brass grid strainer and a chromed brass drain assembly.

**Anti-microbial**

The Solidsan® bowl and sides are manufactured with an anti-microbial agent. The agent is present both on the surface and on the inside of the material and will not dissipate or scratch off. In contact with moisture, anti-microbial ions will be released and effectively kill bacteria.



**Activation & Water Distribution**

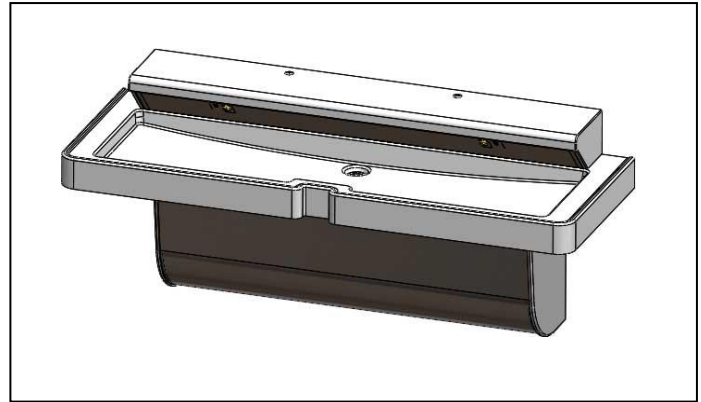
The fixture is supplied with a water distribution head. Water is sensor activated. There is only one water supply necessary for the multiple stations.

**Standard Equipment:** One-piece bowl in anti-bacterial solid surface material, solid surface side covers, stainless steel mounting frame and skirts, sensor water distribution head, drain assembly and tail piece.

**Tankless Water heater:**

The optional tankless water heater has an advanced microprocessor control.

	Phase	KW	Amps	Circuit breaker requirement	Temp. increase at 1 gpm
208 VAC	1	7.2	35	40A	49°F
240 VAC	1	9.6	40	50A	65°F



Water temperature set between 86°F and 125°F and can be controlled by setting a dial. The water temperature required by codes can thus be dialed in at the unit. The unit’s anti-scalding feature prevents the temperature of the water to go above 125°F.

**LEED Compliance**



When supplied with Intersan’s faucets, The Streamlav contributes to meeting LEED requirements in the following categories:

- WEp1 - Water Efficiency
- WEc3 - Water Use Reduction

Each nozzle has a flow rate of 0.5 gpm. The water cycle for the pushbutton operated units lasts 10 seconds which means that 0.083 gallons of water is used per cycle.

**Accessibility**



**Standard Height:** The Streamlav is designed to meet all ADA and TAS guidelines when mounted at the standard rim height of 34”.

**Juvenile Height:** The Streamlav complies with ADA and TAS guidelines for the various juvenile categories when mounted at the proper rim height.

**Drain size** is 1½”

**Warranty:** 5 years limited warranty on material and 3 years limited warranty on components.

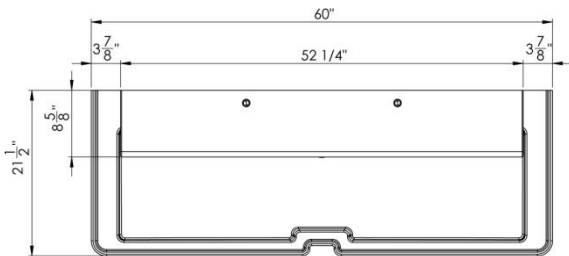
**SAMPLE SPECIFICATION**

Fixture shall be Intersan Streamlav 2-user handwash station. Countertop ,side panels and water distribution head are made from anti-microbial solid surface. Front cover plate and frame assembly are constructed of 304 stainless steel.

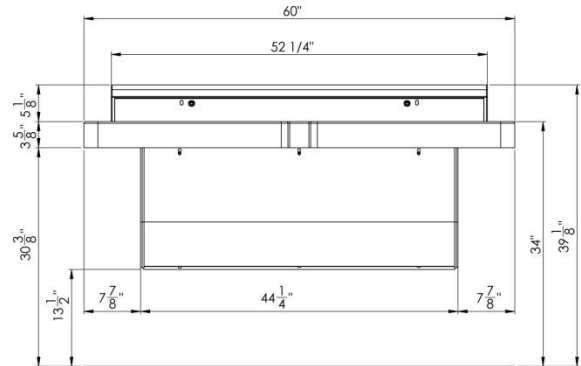


WARNING: Cancer and Reproductive Harm  
[www.P65Warnings.ca.gov](http://www.P65Warnings.ca.gov)

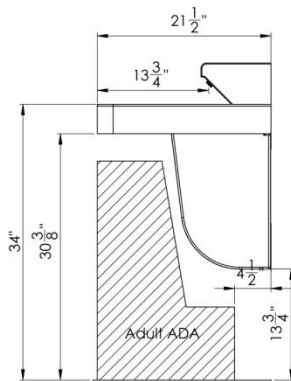
Top View



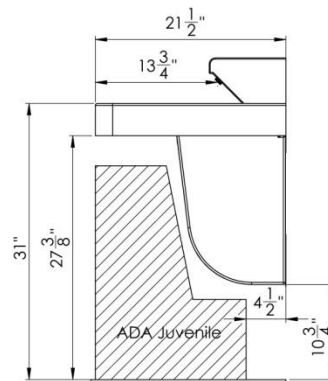
Front View



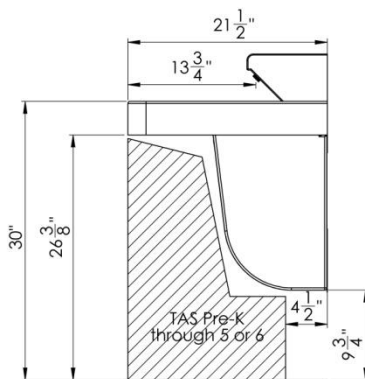
Side View Standard Height



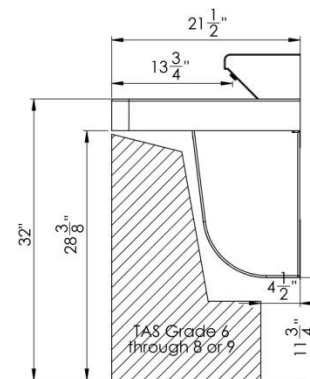
Side View Juvenile Height Ages 6-12



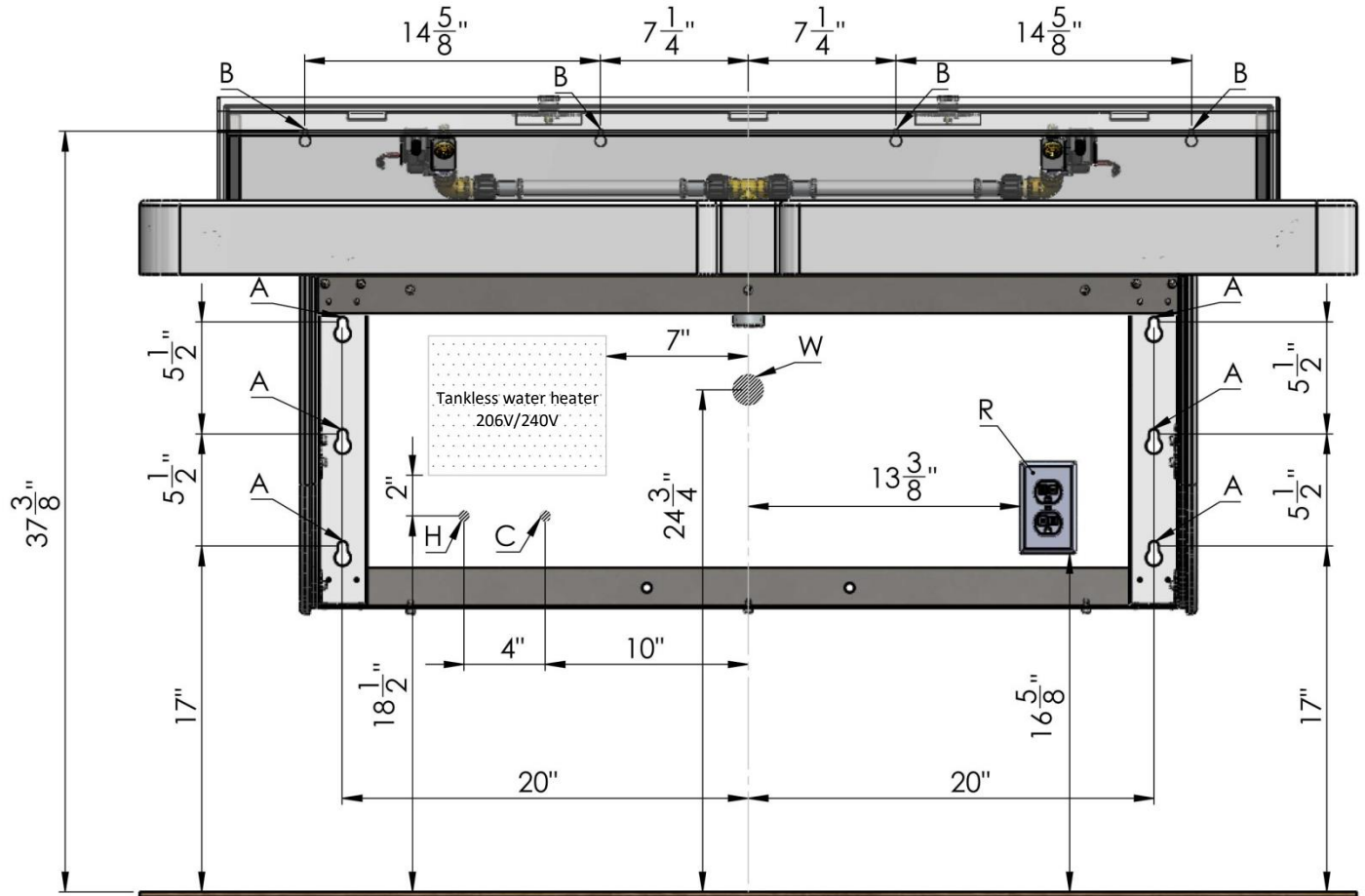
Side View TAS Height Grades Pre-K Through 5 or 6



Side View TAS Height Grades 6 through 8 or 9



## Rough-in Dimensions




Code	Description
A	1/4" Anchors
B	1/8" Anchors
C	Cold Water Supply 1/2" NPT
H	Hot Water Supply 1/2" NPT
R	110v GFCI Outlet (Number of faucets depends on number of faucets)
W	1 1/2" NPT Drain

## Height Adjustments

Standard	Rim Height	Adjustment of height for A, B, C, H, R & W
ADA & TAS Adult	34"	None
ADA Juvenile, Ages 6 - 12	31"	Subtract 3" from height in drawing
TAS, Grades 6 through 8 or 9	32"	Subtract 2" from height in drawing
TAS, Pre-K through Grades 5 or 6	30"	Subtract 4" from height in drawing

**Base Model Number (must specify)**

- SL02-B-SEN Two user Streamlav with sensor water distribution head 

**Supply (for units with Intersan faucets only):**

- TEM Tempered or cold water  
 -TMV Thermostatic mixing valve (hot & cold water)  
 --SE 240V instantaneous water heater

**Colors (must specify):****Standard Colors:**

- AB Adobe Brown  
 -AW Ash White  
 -CG Country Green  
 -DS Desert Sand  
 -MB Midnight Blue  
 -MG Misty Grey  
 -PB Pearl Black  
 -TG Twilight Grey

**Designer Colors:**

- AL Almondine  
 -BW Birch Wood  
 -CB Canyon Brown  
 -CC Chocolate Chip  
 -DE Desert Snow  
 -GW Glacier White  
 -LB Lotus Blossom Green  
 -NB Neptune Blue  
 -OW Oyster White  
 -PW Polar White  
 -RR River Rock  
 -TB Tranquil Blue

**Solid Colors**

- BI Biscuit  
 -CG Country Grey  
 -DB Designer Black  
 -PW Polar White

**Other Options:**

- HW Low voltage class II transformer with plug