

- Made from anti-bacterial Solidsan®;
- ADA-compliant & TAS Compliant;
- Can contribute to LEED requirements
- 5 year warranty on material, 3 year warranty on components.

SL03-A – Three user Streamlav TECHNICAL INFORMATION

Material & Construction

The countertop and is made from anti-microbial Solidsan®. Solidsan® is a composite material of acrylic polyester polymer resins and aluminum trihydrate fillers. The material is resistant to stains and burns and complies with ANSI Z124.3. Solidsan® cleans easily with Scotchbrite®, household cleaners or fine grit sandpaper. Solidsan® is available in 16 colors.

The Streamlav includes a heavy gauge steel powder coated support brackets.

The Streamlav™ is supplied with 1 ½" chromed brass grid strainers and drain assembly.

Anti-microbial



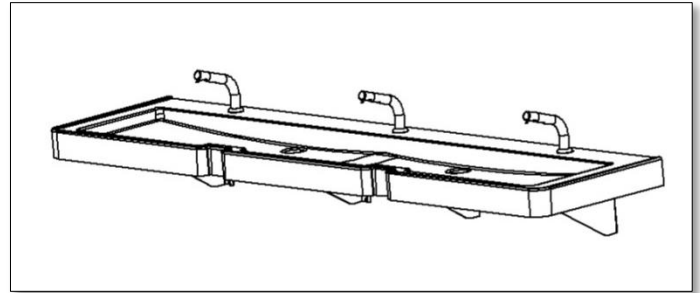
The Solidsan® bowl and sides are manufactured with an anti-microbial agent. The agent is present both on the surface and on the inside of the material and will not dissipate or scratch off. In contact with moisture, anti-microbial ions will be released and effectively kill bacteria.

Activation & water distribution

The Streamlav is available with different faucet options

Standard Equipment:

One-piece bowl in anti-bacterial solid surface material, solid surface side covers, stainless steel mounting frame and skirts, and tail pieces. When supplied with Intersan's faucets the unit is also comes standard with a single supply manifold and batteries for the faucets.



Optional Equipment:

The Streamlav can be supplied with any of Intersan's faucets or can be drilled for faucets by others.

LEED Compliance

When supplied with Intersan's faucets, The Streamlav contributes to meeting LEED requirements in the following categories:



- WEp1 - Water Efficiency
- WEc3 - Water Use Reduction

Each nozzle has a flow rate of 0.35 gpm. The water cycle for the pushbutton operated units lasts 10 seconds which means that 0.058 gallons of water is used per cycle.

Accessibility



Standard Height: The Streamlav is designed to meet all ADA and TAS guidelines when mounted at the standard rim height of 34".

Juvenile Height: The Streamlav complies with ADA and TAS guidelines for the various juvenile categories when mounted at the proper rim height.

The installer is responsible for providing anti-scald protection.

Drain size is 1 ½"

Warranty: 5 years limited warranty on material and 3 years limited warranty on components.

SAMPLE SPECIFICATION

Fixture shall be Intersan Streamlav 3-user hand wash station. Countertop is made from anti-microbial solid surface.

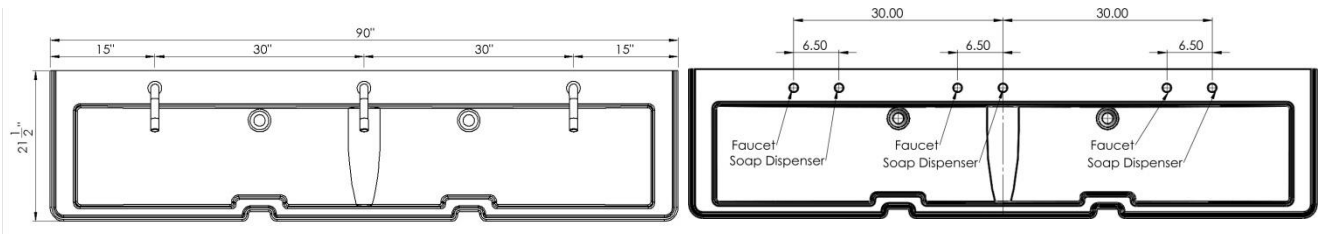


WARNING: Cancer and Reproductive Harm
www.P65Warnings.ca.gov

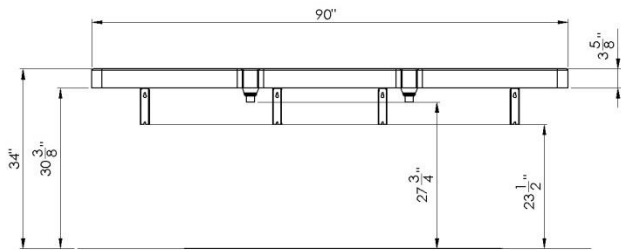
SL03-A-series
Streamlav - Three user lavatory system



Top View



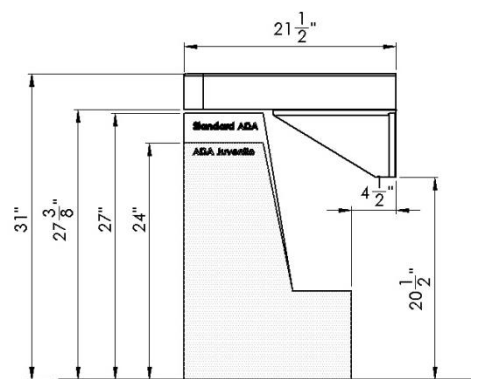
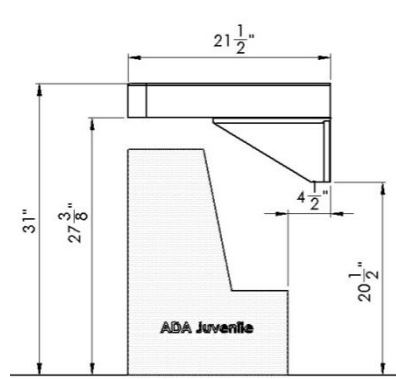
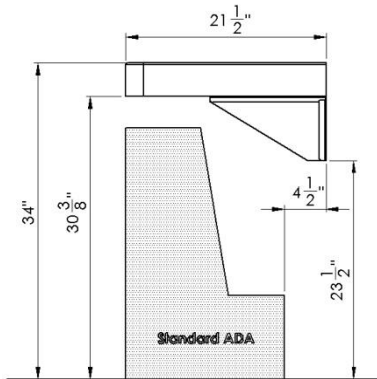
Front View



Side View Standard Height

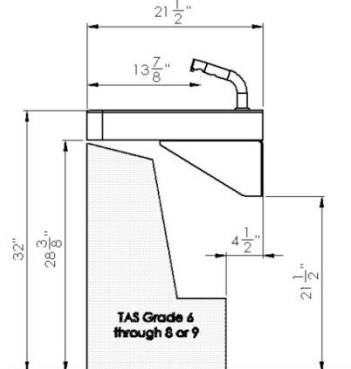
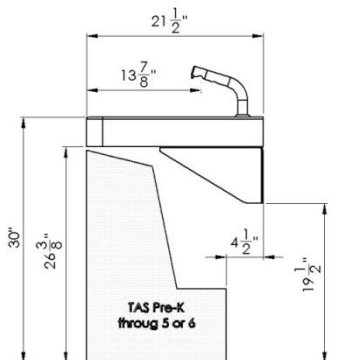
Side View Juvenile Height Ages 6-12

ADA Adult and Juvenile with single mounting height



Side View TAS Height Grades Pre-K Through 5 or 6

Side View TAS Height Grades 6 through 8 or 9

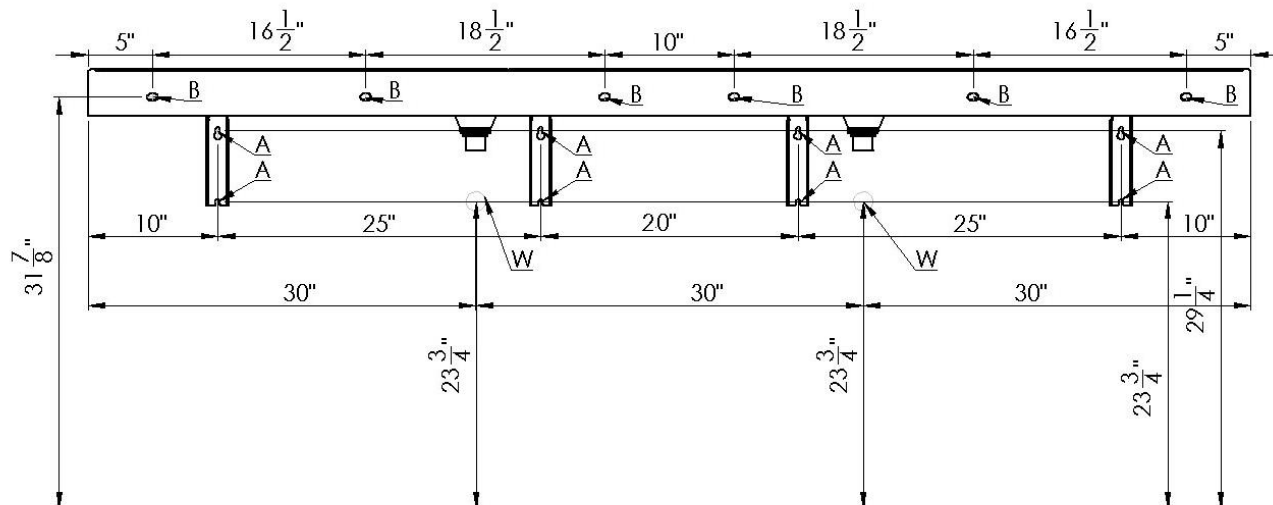


All information including dimensions, changes in design and material are subject to manufacturer's change without formal notice and without obligation. Intersan assumes no responsibility for use of superseded or voided information. Verify all rough-in information before installation. It is the responsibility of the installer to conform with local and national codes.

SL03-A-series Streamlav - Three user lavatory system




Rough-in Dimensions



Code	Description
A	3/8" Anchors
B	3/8" Anchors
W	1 1/2" NPT Drain

Height Adjustments

Standard	Rim Height	Adjustment of height for A, B, C, H, R & W
ADA & TAS Adult	34"	None
ADA Juvenile, Ages 6 - 12	31"	Subtract 3" from height in drawing
TAS, Grades 6 through 8 or 9	32"	Subtract 2" from height in drawing
TAS, Pre-K through Grades 5 or 6	30"	Subtract 4" from height in drawing

Base Model Number (must specify)	
<input type="checkbox"/> SL03-A	Three user Streamlav – No skirt 
Operation (must specify):	
<input type="checkbox"/> -L06	Line 6 faucet
<input type="checkbox"/> -L07	Line 7 faucet
<input type="checkbox"/> -L08	Line 8 faucet
<input type="checkbox"/> -DEK	No Faucets
Supply (must specify):	
<input type="checkbox"/> -TEM	Tempered or cold water
<input type="checkbox"/> -TMV	Thermostatic mixing valve (hot & cold water)
<input type="checkbox"/> -STE	240V instantaneous water heater
Colors (must specify):	
Standard Colors:	
<input type="checkbox"/> -AB	Adobe brown
<input type="checkbox"/> -AW	Ash white
<input type="checkbox"/> -CG	Country Green
<input type="checkbox"/> -DS	Desert sand
<input type="checkbox"/> -MB	Midnight blue
<input type="checkbox"/> -MG	Misty grey
<input type="checkbox"/> -PB	Pearl black
<input type="checkbox"/> -TG	Twilight grey
Designer Colors:	
<input type="checkbox"/> -AL	Almondine
<input type="checkbox"/> -BW	Birch Wood
<input type="checkbox"/> -CB	Canyon Brown
<input type="checkbox"/> -CC	Chocolate Chip
<input type="checkbox"/> -DE	Desert Snow
<input type="checkbox"/> -GW	Glacier White
<input type="checkbox"/> -LB	Lotus Blossom Green
<input type="checkbox"/> -GW	Glacier White
<input type="checkbox"/> -NB	Neptune Blue
<input type="checkbox"/> -OW	Oyster White
<input type="checkbox"/> -RR	River Rock
<input type="checkbox"/> -TB	Tranquil Blue
Solid Colors:	
<input type="checkbox"/> -BI	Biscuit
<input type="checkbox"/> -CO	Country Grey
<input type="checkbox"/> -DB	Designer Black
<input type="checkbox"/> -PW	Polar White
Stand Alone soap dispensers	
<input type="checkbox"/> -SD6	Line 6 soap dispenser
<input type="checkbox"/> -SD7	Line 7 soap dispenser
Other Options (for units with Intersan faucets only):	
<input type="checkbox"/> -HW	Low voltage class II transformer with plug (1 per faucet)*