

- Made from anti-bacterial Solidsan;
- Available in lengths between 60" and 90"
- 5 year warranty on material, 3 year warranty on components.

## SLV02 – Two user Streamlav View

### TECHNICAL INFORMATION

#### Material & Construction

The countertop is made from anti-microbial Solidsan. Solidsan is a composite material of acrylic polyester polymer resins and aluminum trihydrate fillers. The material is resistant to stains and burns and complies with ANSI Z124.3. Solidsan® cleans easily with Scotchbrite®, household cleaners or fine grit sandpaper. Solidsan® is available in 16 colors.

The Streamlav View includes heavy gauge steel powder coated support brackets.

The Streamlav View is supplied with one single drain. The fixture is supplied with a brass p-trap. If faucets are supplied it comes with a PEX supply manifold.

#### Anti-microbial

The Solidguard bowl and sides are manufactured with an anti-microbial agent. The agent is present both on the surface and on the inside of the material and will not dissipate or scratch off. In contact with moisture, anti-microbial ions will be released and effectively kill bacteria.



ⓘ Colors may vary slightly due to batch and material variations and help to create a product that better mirrors nature. Custom colors available on request.

#### Standard Equipment:

Countertop in anti-bacterial solid surface material, steel mounting bracket, tail piece, and P-trap.

#### Optional Equipment:

The Streamlav View can be supplied with a stainless steel skirt assembly (-B).

The Streamlav View can be supplied with any of Intersan's faucets or can be drilled for faucets by others.

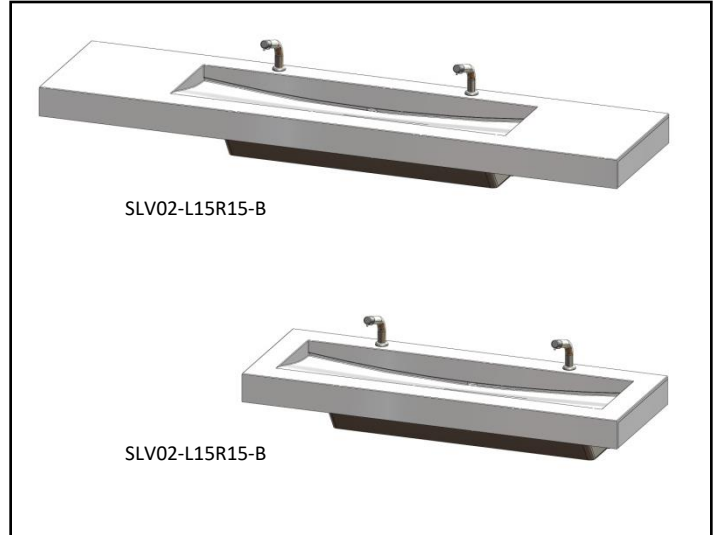
When choosing faucets by others try to minimize splashing by choosing faucets that are less than 4.5" in height (base faucet to aerator bottom). Aerators with a spray pattern are preferably 0.38 GPM or less, laminar or aerated aerators are preferably 0.5 GPM or less.

#### Configurations:

The Streamlav View can be supplied with custom length side wings. The length of either the left or right side wing can vary between 0" and 15" (with 1" increments). With wings the unit will come with corbels in solid surface that match the color of the fixture. The Streamlav View comes standard without overflow.

#### Application

The Streamlav View is intended exclusively for hand washing. It is not designed to dispense water for drinking or use in the preparation of food and beverages.



#### LEED Compliance

When supplied with Intersan's faucets, The Streamlav View contributes to meeting LEED requirements in the following categories:

- WEp1 - Water Efficiency
- WEc3 - Water Use Reduction

Each nozzle has a flow rate of 0.35 gpm.

#### Accessibility

**Standard Height:** The Streamlav View is designed to meet all ADA and TAS guidelines when mounted at the standard rim height of 34".

**Juvenile Height:** The Streamlav View complies with ADA and TAS guidelines for the various juvenile categories when the low side is mounted at the proper rim height.

When used in combination with one of Intersan's faucets, the wash basin is compliant with ADA requirements for operation.

#### Lead Free

The Streamlav View with any of Intersan's faucets will be compliant with NSF/ANSI 372 meeting the Lead-Free content requirement.

**Warranty:** 5 years limited warranty on material and 3 years limited warranty on components.

#### SAMPLE SPECIFICATION

Fixture shall be Intersan Streamlav View two user hand wash station. Countertop is made from anti-microbial solid surface. The unit will have a stainless steel skirt. The unit will be xx (60" to 90") long.

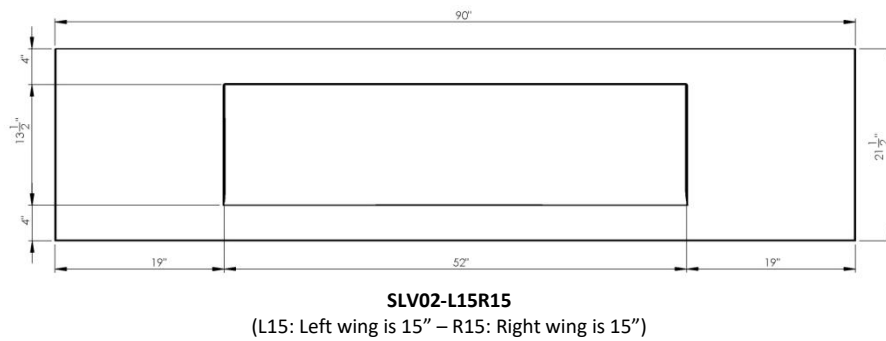
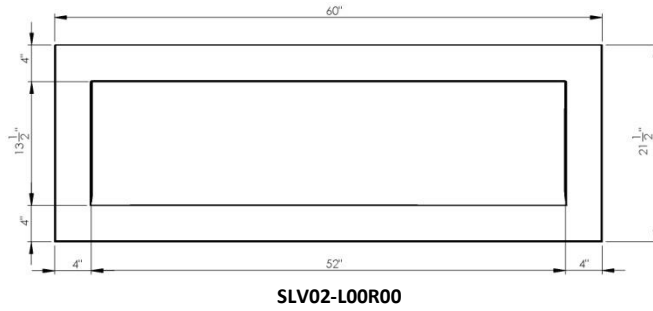
The unit is furnished with a *Line6/Line7/Line8 faucet*.



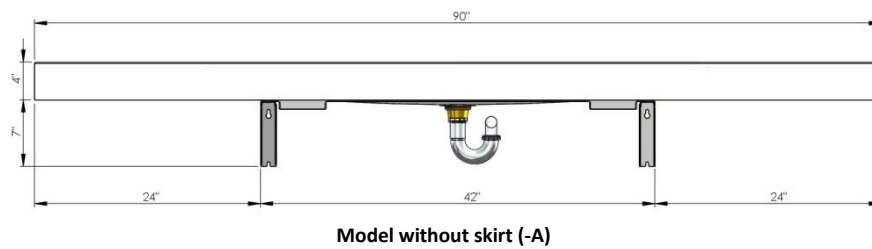
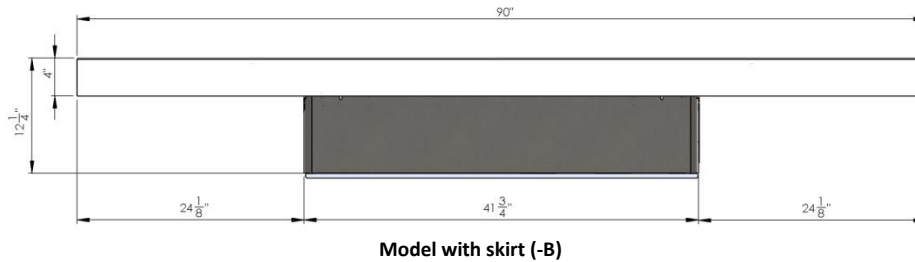
SLV02 - series  
**Streamlav View** - Two user lavatory system



Top View



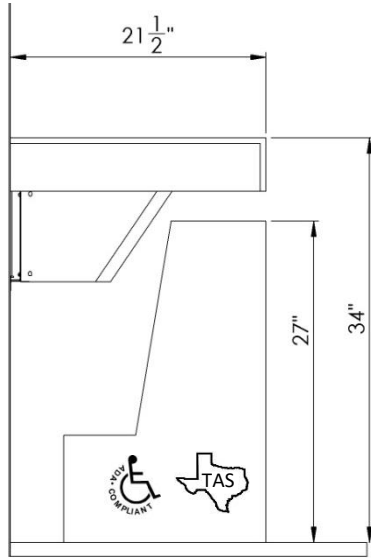
Front View



SLV02 - series  
**Streamlav View** - Two user lavatory system

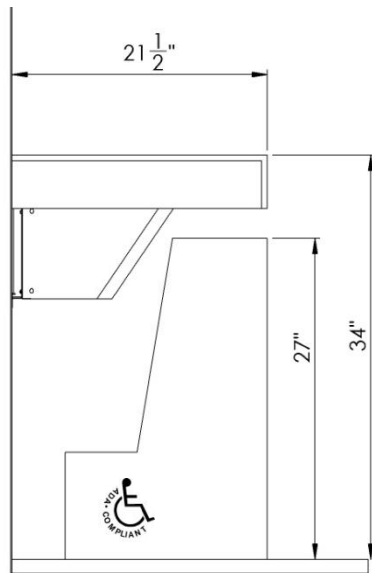


**Side View – Mounted at Standard ADA Height**



with skirt

**Juvenile Height Ages 6-12**

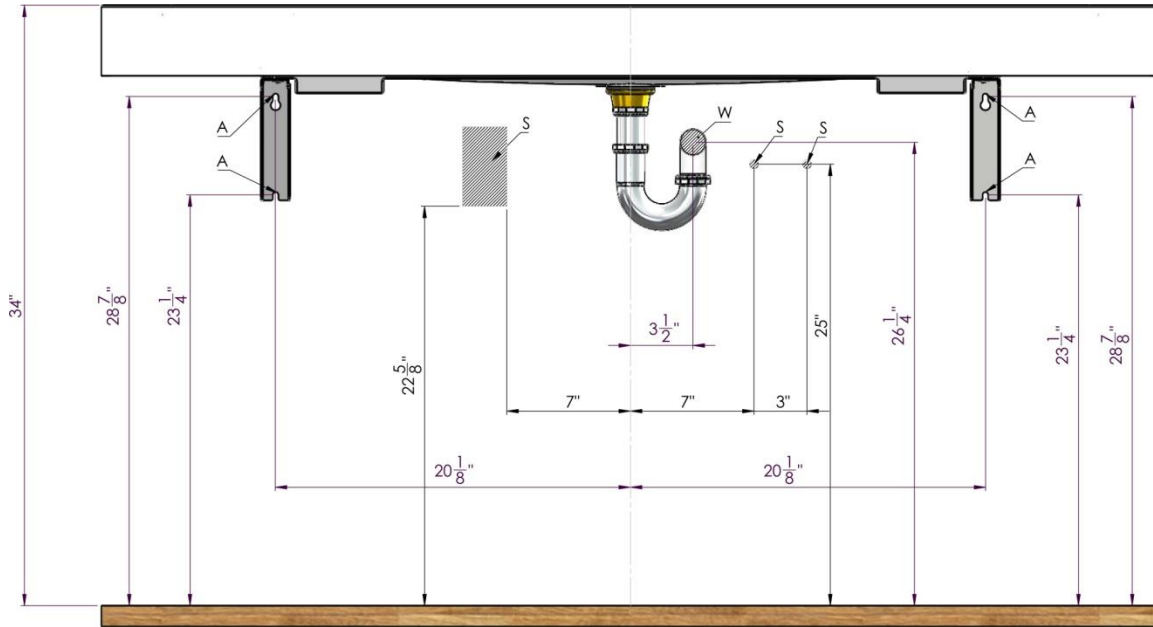


with skirt (-SK option)

# SLV02 - series Streamlav View - Two user lavatory system



## Rough-in Dimensions SLV02 (No skirt)



\* All vertical measurements are measured from the FINISHED floor

Code	Description
A	1/4" Anchors for support brackets with a pull out strength of min. 1000 lbs./
W	1 1/2" NPT Drain, stub out 2"
S	1/2" copper tubing for hot& cold supplies, stub out 2" from wall
R	110V GFCI outlet

## Height Adjustments

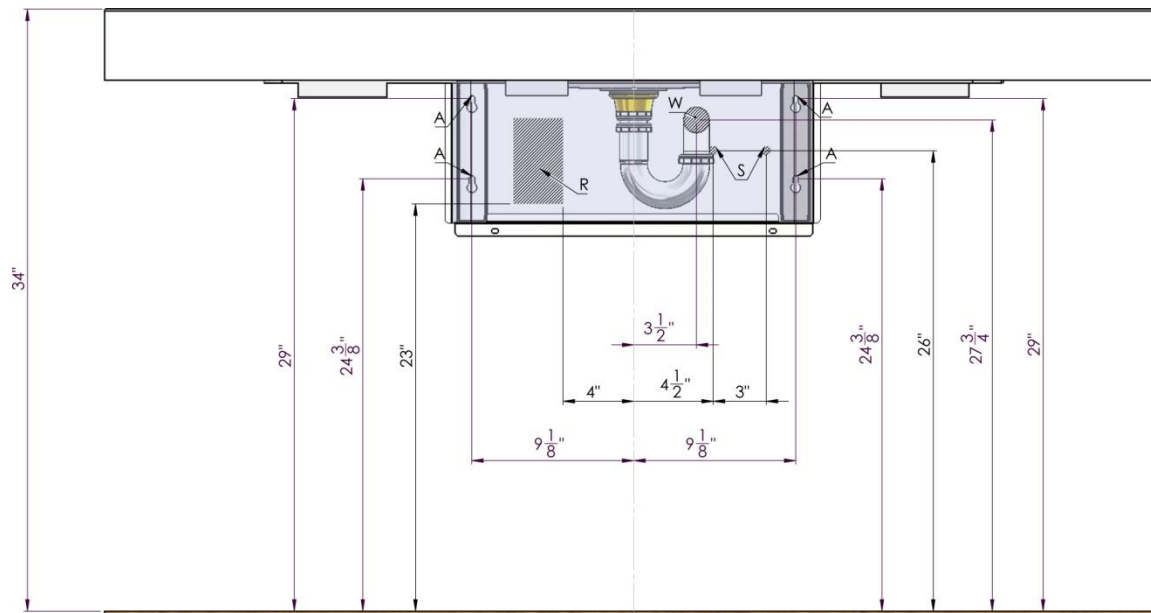
Standard	Rim Height	Adjustment of height for A, B, C, S, R & W
ADA & TAS Adult	34"	None
ADA Juvenile, Ages 6-12	31"	Subtract 3" to height in drawing

\*: -TAS option only

## Rough-in Dimensions SLV02 (with Skirt option)

All information including dimensions, changes in design and material are subject to manufacturer's change without formal notice and without obligation. Intersan assumes no responsibility for use of superseded or voided information. Verify all rough-in information before installation. It is the responsibility of the installer to conform with local and national codes.

SLV02 - series  
**Streamlav View** - Two user lavatory system



\* All vertical measurements are measured from the FINISHED floor

Code	Description
A	1/4" Anchors for support brackets with a pull out strength of min. 1000 lbs./
W	1 1/2" NPT Drain, stub out 2"
S	1/2" copper tubing for hot& cold supplies, stub out 2" from wall
R	110V GFCI outlet

**Height Adjustments**

Standard	Rim Height	Adjustment of height for A, C, S, R & W
ADA & TAS Adult	34"	None
ADA Juvenile, Ages 6-12	31"	Subtract 3" to height in drawing

\*: -TAS option only

**How to choose your model?**

All information including dimensions, changes in design and material are subject to manufacturer's change without formal notice and without obligation. Intersan assumes no responsibility for use of superseded or voided information. Verify all rough-in information before installation. It is the responsibility of the installer to conform with local and national codes.

SLV02 - series  
**Streamlav View** - Two user lavatory system



Base Model Number:



SLV02-L00R00



SLV2-L15R15

(example: left and right wing are each 15": L15R15)

Skirt:



-A



-B

Faucets:



-L06



-L07



-L08

Soap:

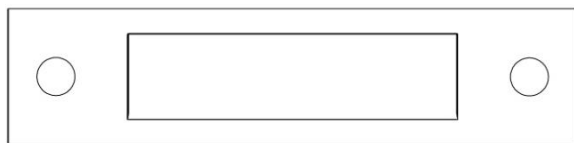


-SD7

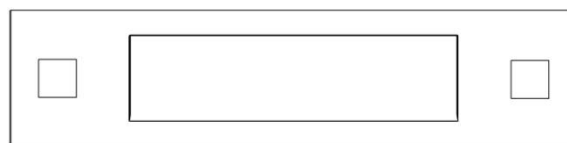


-SD8

Other options:



-TCRL/TCRR (only available with wings 10" or longer)



-TCSL/TCSR (only available with wings 10" or longer)

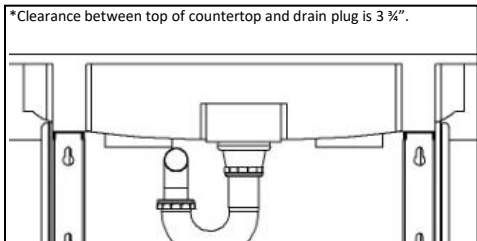
# SLV02 - series

## Streamlav View - Two user lavatory system



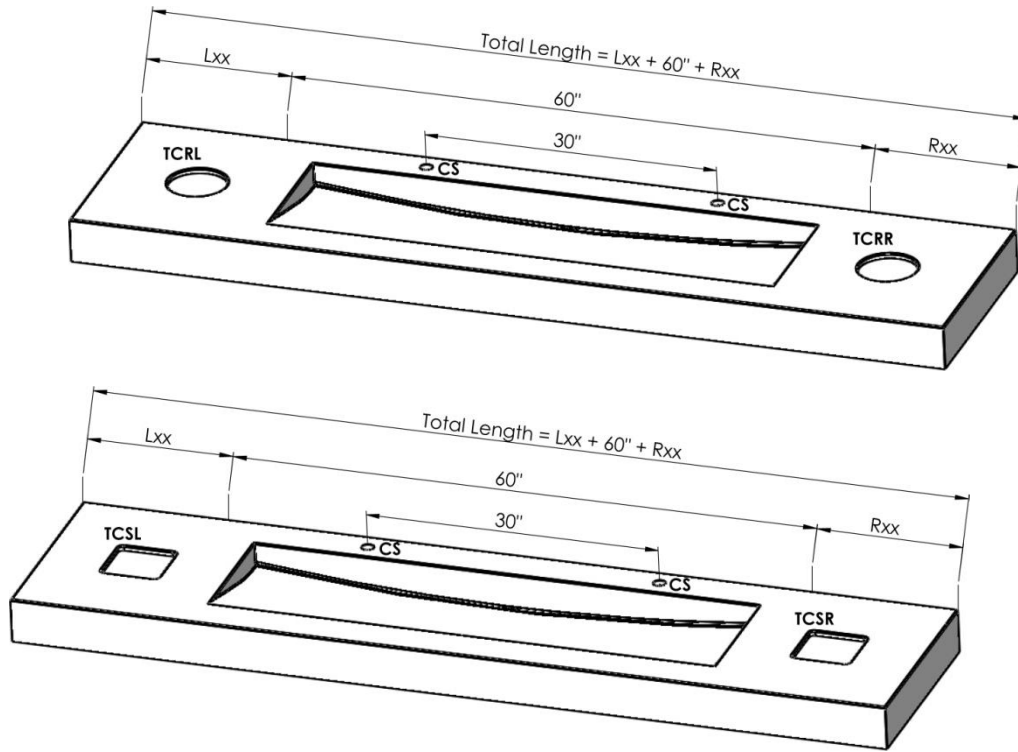
All Streamlav View fixtures are non-returnable and non-cancelable

<b>Base Model Number (must specify)</b>	
<input type="checkbox"/> SLV02-LxxRxx	Two user Streamlav  - Lxx (xx = length of left wing) Rxx (xx = length of right wing) xx must be between 00 and 15
<b>Skirt (must specify)</b>	
<input type="checkbox"/> -A	No skirt
<input type="checkbox"/> -B	Stainless steel skirt
<b>Activation (must specify):</b>	
<input type="checkbox"/> -L06	Line 6 faucet
<input type="checkbox"/> -L07	Line 7 faucet
<input type="checkbox"/> -L08	Line 8 faucet
<input type="checkbox"/> -DEK	No faucets
<b>Supply (must specify):</b>	
<input type="checkbox"/> -TEM	Tempered or cold water
<input type="checkbox"/> -TMV	Thermostatic mixing valve
<b>Colors (must specify)</b>	
<b>Premier Luxe Collection:</b>	
<input type="checkbox"/> -AC	Amalfi Coast
<input type="checkbox"/> -BB	Belgian Blue
<input type="checkbox"/> -BG	Bristol Grey
<input type="checkbox"/> -CA	Carrara Grey
<input type="checkbox"/> -CP	Caledonia Pearl
<input type="checkbox"/> -GB	Galway Bay
<input type="checkbox"/> -PC	Portofino Crema
<input type="checkbox"/> -SF	Santa Fe Silt
<input type="checkbox"/> -SR	Sydney Rock Oyster
<input type="checkbox"/> -TP	Tahitian Pearl
<input type="checkbox"/> -UB	Ubatuba Brown
<input type="checkbox"/> -VM	Vienna Mist
<b>Premium Designer Series:</b>	
<input type="checkbox"/> -BS	Barcelona Sand
<input type="checkbox"/> -CE	Cebolla Creek
<input type="checkbox"/> -CR	Calico Rock
<input type="checkbox"/> -IC	Ivory Coast
<input type="checkbox"/> -KB	Krakatoa Black
<input type="checkbox"/> -MQ	Montreal Quartz
<input type="checkbox"/> -PE	Persian Walnut
<input type="checkbox"/> -PS	Paris Stone
<input type="checkbox"/> -RS	Red Sea Coral
<b>Heritage Value Selections:</b>	
<input type="checkbox"/> -AW	Ash White
<input type="checkbox"/> -CG	Country Green
<input type="checkbox"/> -CO	Concrete Grey
<input type="checkbox"/> -DB	Designer Black
<input type="checkbox"/> -DS	Desert Sand
<input type="checkbox"/> -LB	Lotus Blossom Green
<input type="checkbox"/> -MG	Misty Grey
<input type="checkbox"/> -PW	Polar White
<input type="checkbox"/> -TB	Tranquil Blue
<input type="checkbox"/> -TG	Twilight Grey
<b>Soap (for A-models only):</b>	
<input type="checkbox"/> -SD7	Line 7 Soap dispenser
<input type="checkbox"/> -SD8	Line 8 Soap dispenser
<b>Other Options:</b>	
<input type="checkbox"/> -HW	Low voltage class II transformer with plug (1 per faucet)*
<input type="checkbox"/> -0.35L	0.35 gpm nozzle
<input type="checkbox"/> -TCRL	Round opening for trash on left wing
<input type="checkbox"/> -TCRR	Round opening for trash on right wing
<input type="checkbox"/> -TCSL	Square opening for trash on left wing
<input type="checkbox"/> -TCSL	Square opening for trash on right wing



All information including dimensions, changes in design and material are subject to manufacturer's change without formal notice and without obligation. Intersan assumes no responsibility for use of superseded or voided information. Verify all rough-in information before installation. It is the responsibility of the installer to conform with local and national codes.

SLV02 - series  
**Streamlav View** - Two user lavatory system



Please be advised that the Streamlav View is a customized unit. Upon submittal of the purchase order Intersan requires that the architect, engineer or end-user signs off on the spec sheet. Intersan cannot accept the purchase order for this unit unless the purchaser agrees that the order for this item may not be cancelled or rescheduled in any way. Additionally, the Streamlav View may not be returned to Intersan for any reason except in accordance with any applicable manufacturer's warranty.

Please indicate your agreement with the above by filling out the appropriate fields below and submitting this page together with the sales order. Sales orders will not be processed or scheduled unless this page has been received by Intersan.

**Approval by Architect/Engineer/End-user**

Job Name: \_\_\_\_\_

Date: \_\_\_\_\_

Model Number: **SLV02-**\_\_\_\_\_

Name: \_\_\_\_\_

Quantity: \_\_\_\_\_

Title: \_\_\_\_\_

Signature: \_\_\_\_\_