

- Made from anti-bacterial Solidguard
- Modular handwashing system
- 5 year warranty on material, 3 year warranty on components.

VIV20 – Vivendi Modular Handwashing System
TECHNICAL INFORMATION

Material & Construction

The bowl is made from anti-microbial Solidguard. Solidguard is a composite material of acrylic polyester polymer resins and aluminum trihydrate fillers. The material is resistant to stains and burns and complies with ANSI Z124.3. Solidguard cleans easily with Scotchbrite®, household cleaners or fine grit sandpaper. Solidguard is available in 32 colors.

The Vivendi includes a heavy gauge stainless steel hidden support bracket.

The Vivendi is supplied with integral drain and a stainless steel drain pan.

Anti-microbial

The Solidguard bowl and sides are manufactured with an anti-microbial agent. The agent is present both on the surface and on the inside of the material and will not dissipate or scratch off. In contact with moisture, anti-microbial ions will be released and effectively kill bacteria.



Standard Equipment:

A-model: Lavatory in anti-bacterial solid surface material, stainless steel mounting bracket, stainless drainpan with tail piece.

B-model: Lavatory in anti-bacterial solid surface material, stainless steel mounting bracket, stainless drainpan with tail piece, stainless steel skirt and bottom plate.

Optional Equipment:

The Vivendi can be supplied with any of Intersan’s faucets or can be drilled for faucets by others.

Configurations:

The Vivendi can be supplied with custom length side shelves. The length of the shelves can vary between 5” and 30”. The shelves can be used to connect to other Modus-Vivendi fixtures or to connect to the wall.

The Vivendi can also be installed with the optional Modus-Vivendi baby changer unit.

Application

The Vivendi is intended exclusively for hand washing. It is not designed to dispense water for drinking or use in the preparation of food and beverages.



LEED Compliance

When supplied with Intersan’s faucets, The Vivendi contributes to meeting LEED requirements in the following categories:

- WEp1 - Water Efficiency
- WEc3 - Water Use Reduction

Each nozzle has a flow rate of 0.35 gpm.

Accessibility

The Vivendi complies with ADA, TAS, CAL and UFAS adult and juvenile requirements for reach, clearance an operation.

The A-model also complies with Quebec Construction code, the A- and B models comply with the British Columbia Building Code and the Alberta Building Code.

Lead Free

The Vivendi with any of Intersan’s faucets will be compliant with NSF/ANSI 372 meeting the Lead-Free content requirement.

Warranty

5 years limited warranty on material and 3 years limited warranty on components.

SAMPLE SPECIFICATION

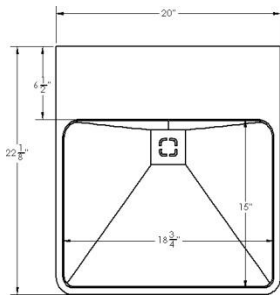
Fixture shall be Intersan a Vivendi hand wash station. Bowl is made from anti-microbial solid surface. The unit will have an integral seamless drain.

The unit is furnished with a *Line6/Line7/Line8/Line9 faucet.*

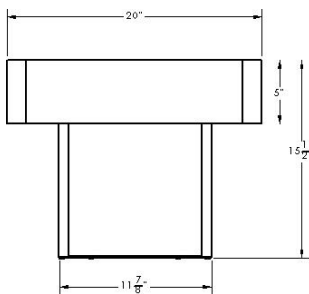


WARNING: Cancer and Reproductive Harm
www.P65Warnings.ca.gov

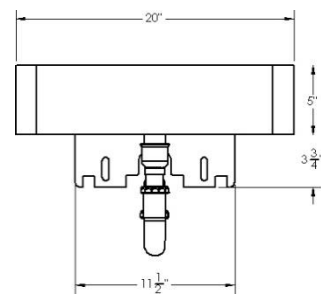
Top View



Front View

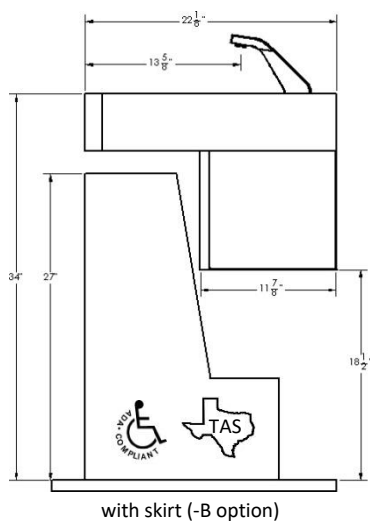


Model with skirt (-B)

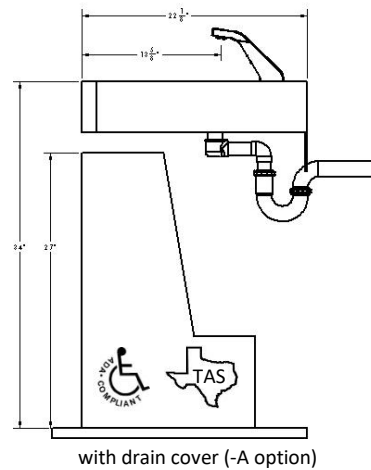


Model without skirt (-A)

Side View – Mounted at Standard ADA Height

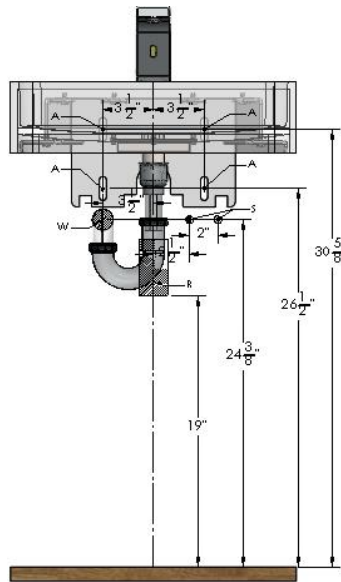


with skirt (-B option)



with drain cover (-A option)

Rough-in Dimensions VIV20 (no skirt)



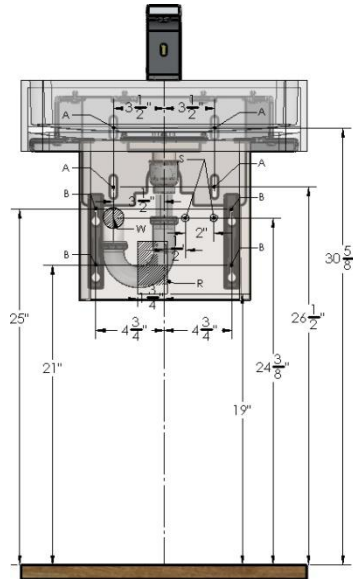
* All vertical measurements are measured from the FINISHED floor

Code	Description
A	3/8" Anchors for support brackets with a pull out strength of min. 1000 lbs.
W	1 1/2" NPT Drain, stub out 2"
S	1/2" copper tubing for hot& cold supplies, stub out 2" from wall
R	110V GFCI outlet

Height Adjustments

Standard	Rim Height Low Side	Adjustment of height for A, B, C, S, R & W
ADA & TAS Adult	34"	None
ADA Juvenile, Ages 6-12	31"	Subtract 3" to height in drawing
TAS, Grades 6 through 8 or 9	32"	Subtract 4" to height in drawing
TAS, Pre-K through Grades 5 or 6	30"	Subtract 2" from height in drawing

Rough-in Dimensions VIV20 (with Skirt)




* All vertical measurements are measured from the FINISHED floor

Code	Description
A	3/8" Anchors for support brackets with a pull out strength of min. 1000 lbs./
B	1/4" Anchors for corbels (only when unit has wings)
W	1 1/2" NPT Drain, stub out 2"
S	1/2" copper tubing for hot& cold supplies, stub out 2" from wall
R	110V GFCI outlet

Height Adjustments

Standard	Rim Height Low Side	Adjustment of height for A, C, S, R & W
ADA & TAS Adult	34"	None
ADA Juvenile, Ages 6-12	31"	Subtract 3" to height in drawing
TAS, Grades 6 through 8 or 9	32"	Subtract 4" to height in drawing
TAS, Pre-K through Grades 5 or 6	30"	Subtract 2" from height in drawing

Base Model Number (must specify)	
<input type="checkbox"/> VIV20	Modular single user lavatory 
Skirt (must specify)	
<input type="checkbox"/> -A	No skirt
<input type="checkbox"/> -B	Stainless steel skirt
Operation (must specify):	
<input type="checkbox"/> -L06	Line 6 faucet
<input type="checkbox"/> -L07	Line 7 faucet
<input type="checkbox"/> -L08	Line 8 faucet
<input type="checkbox"/> -L09	Line 9 Faucet
<input type="checkbox"/> -DEK	No Drilling
Supply (for units with Intersan faucets only):	
<input type="checkbox"/> -TEM	Tempered or cold water
<input type="checkbox"/> -TMV	Thermostatic mixing valve (hot & cold water)
Colors (must specify):	
Premier Luxe Collection:	
<input type="checkbox"/> -AC	Amalfi Coast
<input type="checkbox"/> -BB	Belgian Blue
<input type="checkbox"/> -BG	Bristol Grey
<input type="checkbox"/> -CA	Carrara Grey
<input type="checkbox"/> -CP	Caledonia Pearl
<input type="checkbox"/> -GB	Galway Bay
<input type="checkbox"/> -PC	Portofino Crema
<input type="checkbox"/> -SF	Santa Fe Silt
<input type="checkbox"/> -SR	Sydney Rock Oyster
<input type="checkbox"/> -TP	Tahitian Pearl
<input type="checkbox"/> -UB	Ubatuba Brown
<input type="checkbox"/> -VM	Vienna Mist
Premier Designer Series:	
<input type="checkbox"/> -BS	Barcelona Sand
<input type="checkbox"/> -CE	Cebolla Creek
<input type="checkbox"/> -CR	Calico Rock
<input type="checkbox"/> -IC	Ivory Coast
<input type="checkbox"/> -KB	Krakatoa Black
<input type="checkbox"/> -MQ	Montreal Quartz
<input type="checkbox"/> -PE	Persian Walnut
<input type="checkbox"/> -PS	Paris Stone
<input type="checkbox"/> -RS	Red Sea Coral
Heritage Value Selections:	
<input type="checkbox"/> -AW	Ash White
<input type="checkbox"/> -CG	Country Green
<input type="checkbox"/> -CO	Concrete Grey
<input type="checkbox"/> -DB	Designer Black
<input type="checkbox"/> -DS	Desert Sand
<input type="checkbox"/> -LB	Lotus Blossom Green
<input type="checkbox"/> -MG	Misty Grey
<input type="checkbox"/> -PW	Polar White
<input type="checkbox"/> -TB	Tranquil Blue
<input type="checkbox"/> -TG	Twilight Grey
Soap (for A and C models only only):	
<input type="checkbox"/> -SD7	Line 7 Soap dispenser
<input type="checkbox"/> -SD8	Line 8 Soap dispenser
<input type="checkbox"/> -SD9	Line 9 Soap dispenser
Other Options:	
<input type="checkbox"/> -HW	Low voltage class II transformer with plug (1 per faucet)
<input type="checkbox"/> -CP	Carrier plate for mounting
<input type="checkbox"/> -SR	Fixture modified for shelf or baby changer on right hand side
<input type="checkbox"/> -SL	Fixture modified for shelf or baby changer on right hand side
<input type="checkbox"/> -CS	Drilling for center set faucet by others
<input type="checkbox"/> -4C	Drilling for 4" center faucet by others
<input type="checkbox"/> -8C	Drilling for 8" center faucet by others

