

- Made from anti-bacterial Solidguard
- Modular handwashing system
- 5 year warranty on material, 3 year warranty on components.

MOD50 – Modus Modular Handwashing System  
**TECHNICAL INFORMATION**

**Material & Construction**

The bowl is made from anti-microbial Solidguard. Solidguard is a composite material of acrylic polyester polymer resins and aluminum trihydrate fillers. The material is resistant to stains and burns and complies with ANSI Z124.3. Solidguard cleans easily with Scotchbrite®, household cleaners or fine grit sandpaper. Solidguard is available in 32 colors.

The Modus 2-user includes two heavy gauge stainless steel hidden support brackets.

The Modus 2-user is supplied with integral drain and a stainless steel drain pan.

**Anti-microbial**

The Solidguard bowl and sides are manufactured with an anti-microbial agent. The agent is present both on the surface and on the inside of the material and will not dissipate or scratch off. In contact with moisture, anti-microbial ions will be released and effectively kill bacteria.



**Standard Equipment:**

**A-model:** Lavatory in anti-bacterial solid surface material, stainless steel mounting brackets, stainless drainpan with tail piece.

**B-model:** Lavatory in anti-bacterial solid surface material, stainless steel mounting brackets, stainless drainpan with tail piece, stainless steel skirt and bottom plate.

**Optional Equipment:**

The Modus can be supplied with any of Intersan’s faucets or can be drilled for faucets by others.

**Configurations:**

The Modus 2-user can be supplied with custom length side shelves. The length of the shelves can vary between 5” and 30”. The shelves can be used to connect to other Modus-Modus fixtures or to connect to the wall.

The Modus 2-user can also be installed with the optional Modus-Modus baby changer unit.

**Application**

The Modus 2-user is intended exclusively for hand washing. It is not designed to dispense water for drinking or use in the preparation of food and beverages.



**LEED Compliance**

When supplied with Intersan’s faucets, The Modus 2-user contributes to meeting LEED requirements in the following categories:

- WEp1 - Water Efficiency
- WEc3 - Water Use Reduction

Each nozzle has a flow rate of 0.35 gpm.

**Accessibility**

The Modus 2-user complies with ADA, TAS, CAL and UFAS adult and juvenile requirements for reach, clearance an operation.

The A-model also complies with Quebec Construction code, the A- and B models comply with the British Columbia Building Code and the Alberta Building Code.

**Lead Free**

The Modus 2-user with any of Intersan’s faucets will be compliant with NSF/ANSI 372 meeting the Lead-Free content requirement.

**Warranty**

5 years limited warranty on material and 3 years limited warranty on components.

**SAMPLE SPECIFICATION**

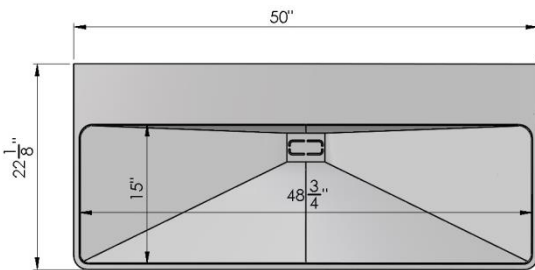
Fixture shall be Intersan a Modus 2-user hand wash station. Bowl is made from anti-microbial solid surface. The unit will have an integral seamless drain.

The unit is furnished with a *Line6/Line7/Line8/Line9 faucets*.

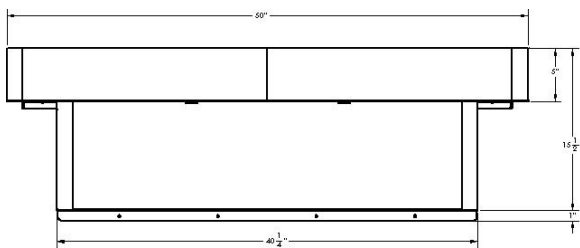


WARNING: Cancer and Reproductive Harm  
[www.P65Warnings.ca.gov](http://www.P65Warnings.ca.gov)

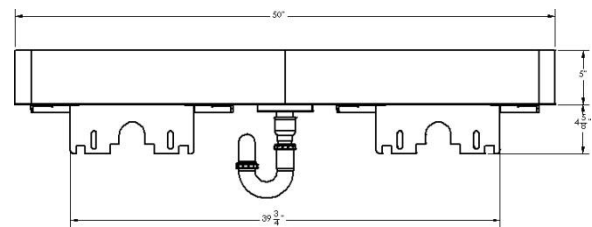
**Top View**



**Front View**

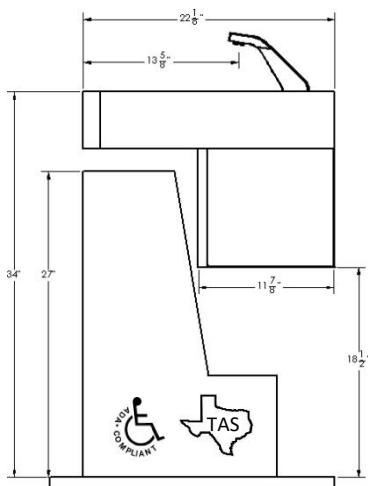


**Model with skirt (-B)**

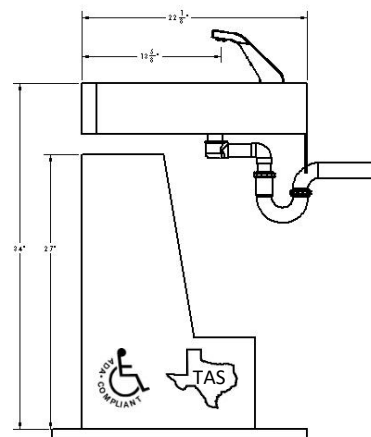


**Model without skirt (-A)**

**Side View – Mounted at Standard ADA Height**

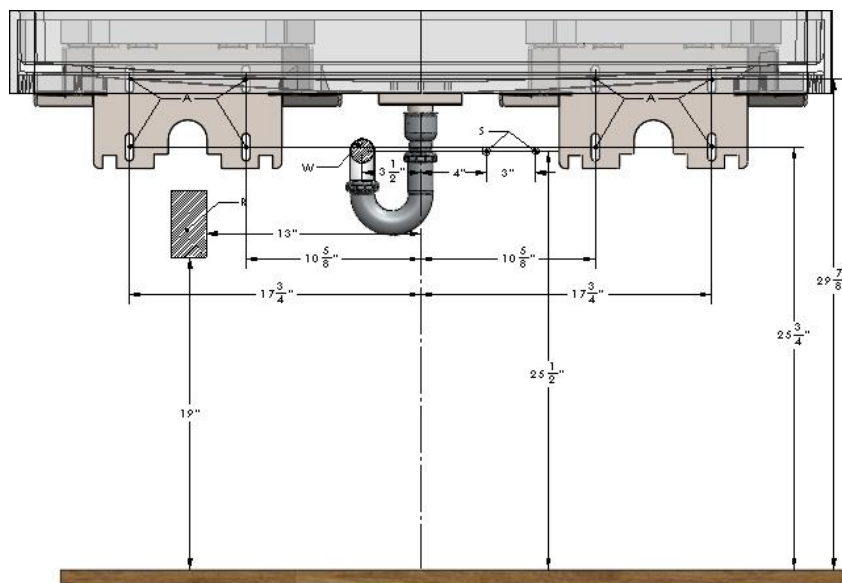


**with skirt (-B option)**



**with drain cover (-A option)**

## Rough-in Dimensions MOD50 (no skirt)



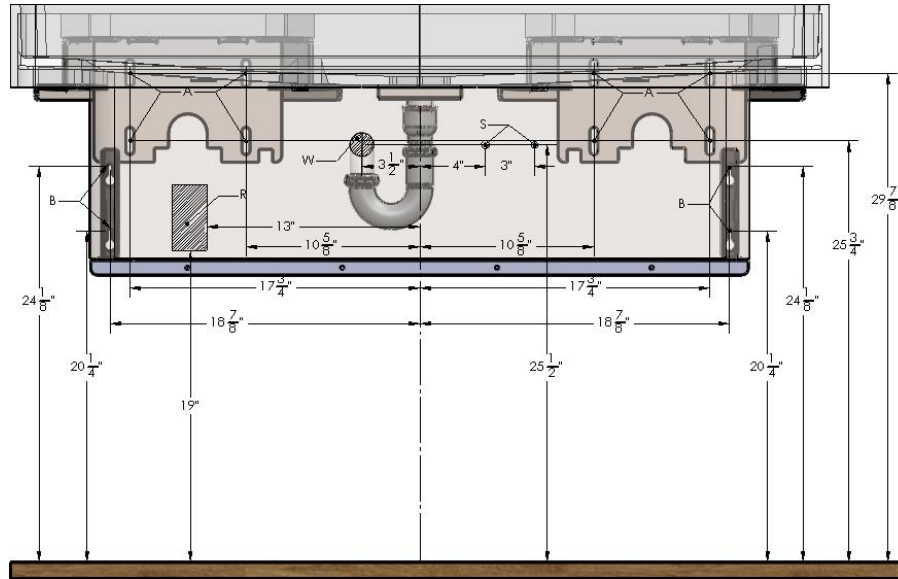
\* All vertical measurements are measured from the FINISHED floor

Code	Description
A	3/8" Anchors for support brackets with a pull out strength of min. 1000 lbs.
W	1 1/2" NPT Drain, stub out 2"
S	1/2" copper tubing for hot& cold supplies, stub out 2" from wall
R	110V GFCI outlet

## Height Adjustments

Standard	Rim Height Low Side	Adjustment of height for A, B, C, S, R & W
ADA & TAS Adult	34"	None
ADA Juvenile, Ages 6-12	31"	Subtract 3" to height in drawing
TAS, Grades 6 through 8 or 9	32"	Subtract 4" to height in drawing
TAS, Pre-K through Grades 5 or 6	30"	Subtract 2" from height in drawing

**Rough-in Dimensions MOD50 (with Skirt)**




\* All vertical measurements are measured from the FINISHED floor

Code	Description
A	3/8" Anchors for support brackets with a pull out strength of min. 1000 lbs./
B	1/4" Anchors for corbels (only when unit has wings)
W	1 1/2" NPT Drain, stub out 2"
S	1/2" copper tubing for hot& cold supplies, stub out 2" from wall
R	110V GFCI outlet

**Height Adjustments**

Standard	Rim Height Low Side	Adjustment of height for A, C, S, R & W
ADA & TAS Adult	34"	None
ADA Juvenile, Ages 6-12	31"	Subtract 3" to height in drawing
TAS, Grades 6 through 8 or 9	32"	Subtract 4" to height in drawing
TAS, Pre-K through Grades 5 or 6	30"	Subtract 2" from height in drawing

<b>Base Model Number (must specify)</b>	
<input type="checkbox"/> MOD50	Modular single user lavatory 
<b>Skirt (must specify)</b>	
<input type="checkbox"/> -A	No skirt
<input type="checkbox"/> -B	Stainless steel skirt
<b>Operation (must specify):</b>	
<input type="checkbox"/> -L06	Line 6 faucet
<input type="checkbox"/> -L07	Line 7 faucet
<input type="checkbox"/> -L08	Line 8 faucet
<input type="checkbox"/> -L09	Line 9 Faucet
<input type="checkbox"/> -DEK	No Drilling
<b>Supply (for units with Intersan faucets only):</b>	
<input type="checkbox"/> -TEM	Tempered or cold water
<input type="checkbox"/> -TMV	Thermostatic mixing valve (hot & cold water)
<b>Colors (must specify):</b>	
<b>Premier Luxe Collection:</b>	
<input type="checkbox"/> -AC	Amalfi Coast
<input type="checkbox"/> -BB	Belgian Blue
<input type="checkbox"/> -BG	Bristol Grey
<input type="checkbox"/> -CA	Carrara Grey
<input type="checkbox"/> -CP	Caledonia Pearl
<input type="checkbox"/> -GB	Galway Bay
<input type="checkbox"/> -PC	Portofino Crema
<input type="checkbox"/> -SF	Santa Fe Silt
<input type="checkbox"/> -SR	Sydney Rock Oyster
<input type="checkbox"/> -TP	Tahitian Pearl
<input type="checkbox"/> -UB	Ubatuba Brown
<input type="checkbox"/> -VM	Vienna Mist
<b>Premium Designer Series:</b>	
<input type="checkbox"/> -BS	Barcelona Sand
<input type="checkbox"/> -CE	Cebolla Creek
<input type="checkbox"/> -CR	Calico Rock
<input type="checkbox"/> -IC	Ivory Coast
<input type="checkbox"/> -KB	Krakatoa Black
<input type="checkbox"/> -MQ	Montreal Quartz
<input type="checkbox"/> -PE	Persian Walnut
<input type="checkbox"/> -PS	Paris Stone
<input type="checkbox"/> -RS	Red Sea Coral
<b>Heritage Value Selections:</b>	
<input type="checkbox"/> -AW	Ash White
<input type="checkbox"/> -CG	Country Green
<input type="checkbox"/> -CO	Concrete Grey
<input type="checkbox"/> -DB	Designer Black
<input type="checkbox"/> -DS	Desert Sand
<input type="checkbox"/> -LB	Lotus Blossom Green
<input type="checkbox"/> -MG	Misty Grey
<input type="checkbox"/> -PW	Polar White
<input type="checkbox"/> -TB	Tranquil Blue
<input type="checkbox"/> -TG	Twilight Grey
<b>Soap (for A and C models only only):</b>	
<input type="checkbox"/> -SD7	Line 7 Soap dispenser
<input type="checkbox"/> -SD8	Line 8 Soap dispenser
<input type="checkbox"/> -SD9	Line 9 Soap dispenser
<b>Other Options:</b>	
<input type="checkbox"/> -HW	Low voltage class II transformer with plug (1 per faucet)
<input type="checkbox"/> -CP	Set of 2 carrier plates for mounting
<input type="checkbox"/> -SR	Fixture modified for shelf or baby changer on right hand side
<input type="checkbox"/> -SL	Fixture modified for shelf or baby changer on right hand side
<input type="checkbox"/> -CS	Drilling for center set faucet by others
<input type="checkbox"/> -4C	Drilling for 4" center faucet by others
<input type="checkbox"/> -8C	Drilling for 8" center faucet by others