

IF3/IH3–
Sanispray® Washfountain

TECHNICAL INFORMATION

The **54" corner stainless steel bowl** can serve 3 users at a time. The bowl is made of 16 gauge type 304 stainless steel and has a parabolic shape for added strength. The parabolic shape keeps the water spray inside the bowl and makes the bowl self-cleaning and self-draining.

The bowl is also available in anti-microbial solid surface. Solid surface is a composite material of acrylic polyester polymer resins and aluminum trihydrate fillers.



The **pedestal** is constructed of cold laminated 12 gauge steel, treated against corrosion by zinc phosphate and powder coating. The scuff base is made of stainless steel. The pedestal has a vandal resistant steel access panel at the front of the pedestal. Three rubber joints are fitted between floor, scuff base, pedestal and bowl. Anchoring bolts made of zinc coated steel are provided.

The **11 gauge stainless steel riser column** serves the purpose of both a housing for the supply pipes and the vent pipe, and a support for the water distribution head. The pre-installed vent pipe is also the central tie part for the rigid assembly of the washfountain, making wall braces unnecessary. The dome grated column base provides a central 360° drain and has an internal easy to clean grid.

Spray nozzles are vandal resistant and have built-in automatic flow control limiting the water flow to 0.5 gpm. (Optional: 0.35 gpm nozzles)

The **internal plumbing system** includes a braided stainless steel supply line to the spraying and a thermostatic mixing valve (if chosen) with 2 integral check valves and 2 strainers. The mixing valve is preset at 104° F (±4°F). The thermostat requires the hot water to be between 130° F and 167°F with a pressure of min. 17 psi at the inlet. The thermostatic mixing valve shuts off when hot or cold water fails.

The **washfountain can have several soap options**. The fixture can be provided with a liquid or powdered soap dispenser. The soap dispenser is integrated in the sprayhead and has 2 soap mechanisms. As an alternate the fixture can be supplied with a mounting bracket for soap dispensers supplied by others.

The **foot operation mechanism** consists of a set of 3 large foot pushbuttons that activate an equal number of pneumatic control valves. The valves are mounted in the water distribution head for easy access during maintenance. Water will flow as long as the foot pushbutton is activated.

The **hand operation mechanism** consists of a set of 3 large chromed brass pushbuttons that activate an equal number of direct activated metering valves (adjustable cycle: 5 to 120 seconds).

Operating range is 17 to 100 psi of flowing pressure, measured at the inlet of the control valve when the unit is spraying.

Fixture unit value is three as determined by the National Plumbing Code.



Supply is 1/2" or 2 x 1/2".

Drain size is 2".

Vent size is 1 1/2". The fixture is supplied with a vent pipe which extends 42 3/4" above the floor. To connect the vent pipe to a vent from the ceiling, use a 1 1/2" no-hub coupling.

Accessibility



The hand pushbuttons comply with ATBCB and ANSI standards that require less than 5 lbs. of force to operate. The 3-user standard floor mounted and wall-hung models comply with ADA, TAS, CAL and UFAS requirements for reach and clearance.

LEED Compliance

The Sanispray contributes to meeting LEED requirements in the following categories: WEP1 - Water Efficiency



WEC3 - Water Use Reduction

Each nozzle has a flow rate of 0.5 gpm. The water cycle for the hand operated units lasts 10 seconds which means that 0.083 gallons of water is used per cycle. Foot operated units will only dispense water as long as the foot pushbutton is activated. 0.35 gpm nozzles are available.

Warranty: 5 years limited warranty on material and 3 years limited warranty on components

SAMPLE SPECIFICATION

Fixture shall be a 3-user (54" corner) Intersan Sanispray® washfountain with individual foot or hand control (*specify model and optional equipment*). The 16 gauge type 304 stainless steel bowl shall have a parabolic shape and shall be self-cleaning and self-draining by means of a central drain. The pedestal with vandal resistant steel access panel shall be made of powder coated steel. The following features shall be included: vent pipe, three mechanical anti-clog valve, with strainers, thermostatic mixing valve, integrated stainless steel powdered or liquid soap dispenser. The unit shall have a warranty of 3 years on non-wear components and 5 years on materials.



WARNING: Cancer and Reproductive Harm
www.P65Warnings.ca.gov

Base Model Number (must specify):

- IF354 3-user Sanispray® - foot controlled
- IH354 3-user Sanispray® - hand controlled

Supply (must specify):

- 1 Tempered or cold water
- 2 Thermostatic mixing valve (hot & cold water)

Soap Option (must specify):

- N No soap dispenser
- P Powdered soap dispenser
- L Liquid soap dispenser
- B Soap bracket for soap dispenser by others

Pedestal Options (must specify):

- BP Black Powder Coated Pedestal
- SP Stainless steel pedestal
- JH Powder coated junior height pedestal (rim ±26")
- JS Stainless steel junior height pedestal (rim ±26")
- EH Powder coated extra high pedestal (rim ±39")
- ES Stainless steel extra high pedestal (rim ±39")
- WH Wall-hung pedestal

Bowl (must specify):

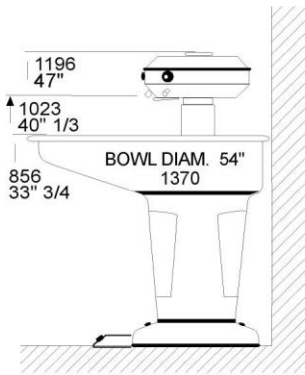
- SB Stainless Steel Bowl
- AW Ash White - Solid Surface Bowl
- DS Desert Sand - Solid Surface Bowl
- MB Midnight Blue - Solid Surface Bowl
- MG Misty Grey - Solid Surface Bowl
- TG Twilight Grey - Solid Surface Bowl

Quick Connect Options:

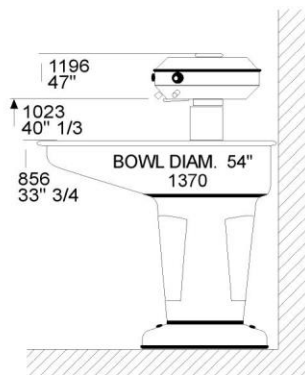
- 22FLEXDR Flexible drain connector
- (1)P3020 Stainless steel flexible supply (no mixing valve)
- (2)P3020 Stainless steel flexible supplies (with mixing valve)

Other Options:

- S Stainless steel shroud (39 3/8")
- TDQ Towel dispenser
- BSQ Wall mounted backsplash
- HBL Hose bib left side
- HBR hose bib right side
- 0.35 0.35 gpm nozzles

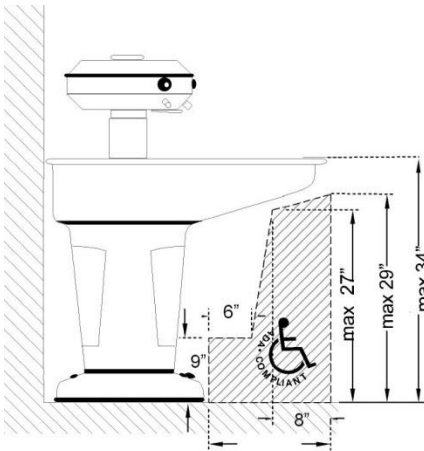
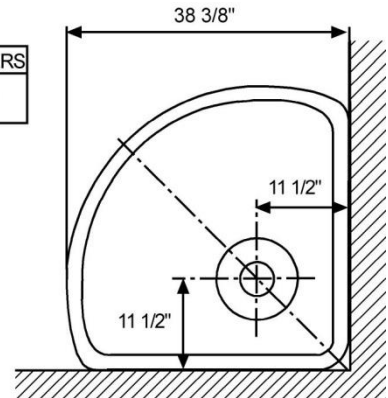


IF354

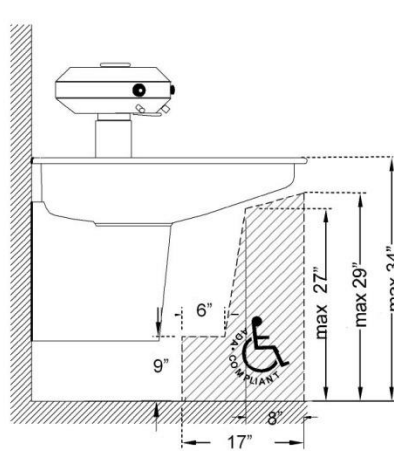


IH354

SIZE	USERS
54"	3



Individual Hand



Wall-hung pedestal

Approved by architect/engineer

Job name: _____ Model: _____ Title: _____
 Date: _____ Quantity: _____ Signature: _____



INTERSAN MANUFACTURING COMPANY
 1748 W. Fillmore St. – Phoenix, AZ 85007 – (800) 999-3101 – Fax: (602) 254-3101 – www.intersanUS.com

IF3/IH3 -series

Sanispray[®] - Individual – mechanical activation – corner

