

PZ6/PZ8 – Sanispray® Washfountain

TECHNICAL INFORMATION

The **39" or 54" circular stainless steel bowl** can serve 6 or 8 users at a time. The bowl is constructed of 16 gauge type 304 stainless steel and has a parabolic shape for added strength. The parabolic shape keeps the water spray inside the bowl and makes the bowl self-cleaning and self-draining.

The bowl is also available in anti-microbial solid surface. Solid surface is a composite material of acrylic polyester polymer resins and aluminum trihydrate fillers.



The **pedestal** is constructed of cold laminated 12 gauge steel, treated against corrosion by zinc phosphate and powder coating. The scuff base is made of stainless steel. The pedestal has a vandal resistant steel access panel at the front and back of the pedestal. Three rubber joints are fitted between floor, scuff base, pedestal and bowl. Anchoring bolts made of zinc coated steel are provided.

The **11 gauge stainless steel riser column** serves the purpose of both a housing for the supply pipes and the vent pipe, and a support for the water distribution head. The pre-installed vent pipe is also the central tie part for the rigid assembly of the washfountain, making wall braces unnecessary. The dome grated column base provides a central 360° drain and has an internal easy to clean grid.

Spray nozzles are vandal resistant and have built-in automatic flow control limiting the water flow to 0.5 gpm. (optional: 0.35 gpm nozzles).

The **internal plumbing system** includes a braided stainless steel supply line to the water distribution head and a thermostatic mixing valve (if chosen) with 2 stop ball valves, 2 integral check valves and 2 Y-type strainers. The mixing valve is preset at 104° F (±4°F). The thermostat requires the hot water to be between 130° F and 167°F with a pressure of min. 17 psi at the inlet. The thermostatic mixing valve shuts off when hot or cold water fails.

The **washfountain can have several soap options**. The fixture can be provided with a liquid soap dispenser. The soap dispenser is integrated in the sprayhead and has 3 or 4 soap valves. As an alternate the fixture can be supplied with a mounting bracket for soap dispensers supplied by others or with no soap dispenser.

Piezo touch button activated: a very light touch on the piezo touch button causes an electrical charge. The charge from the 9V battery combined with a latching solenoid valve allows the water flow to open and close. The water will flow for 10 seconds or can be stopped mid-cycle by touching the touch button. A different duration of the water flow can be programmed upon request.

An **automatic flushing cycle** can be programmed. With this option the washfountain flushes automatically every 24 hours and this can help prevent the growth of legionnaire's bacteria.

The **solenoid valves** are bi-stable, 2 coil valves.

Operating range is 17 to 100 psi of flowing pressure, measured at the inlet of the control valve when the unit is spraying.

Fixture unit value is three as determined by the National Plumbing Code.



Supply is 1/2" or 2 x 1/2".

Drain size is 2".

Vent size is 1 1/2". The fixture is supplied with a vent pipe which extends 42 3/4" above the floor. To connect the vent pipe to a vent from the ceiling, use a 1 1/2" no-hub coupling.

Accessibility



The 8-user standard floor mounted model complies with ADA, TAS, CAL and UFAS requirements for reach, clearance and operation.

LEED Compliance

The Sanispray contributes to meeting LEED requirements in the following categories: WEp1 - Water Efficiency

WEc3 - Water Use Reduction

Each nozzle has a flow rate of 0.5 gpm. The water cycle lasts 10 seconds which means that 0.083 gallons of water is used per cycle. 0.35 gpm nozzles are available.

Warranty: 5 years limited warranty on materials and 3 years limited warranty on components.

SAMPLE SPECIFICATION

Fixture shall be a 6-user (39" circular) or 8-user (54" circular) Intersan Sanispray® washfountain with individual piezo touch activation (*specify model and optional equipment*). The 16 gauge type 304 stainless steel/solid surface bowl shall have a parabolic shape and shall be self-cleaning and self-draining by means of a central drain. The pedestal with vandal resistant steel access panel shall be made of powder coated steel. The following features shall be included: 6 or 8 stations with 6 or 8, Piezo touch buttons micro-processors, 9-volt batteries and solenoid valves. Stop ball valves with strainers, check valves, thermostatic mixing valve, vent pipe and integrated stainless steel liquid soap dispenser. The unit shall have a warranty of 3 years on non-wear components and 5 years on materials.



WARNING: Cancer and Reproductive Harm
www.P65Warnings.ca.gov

Sanispray® - Individual – piezo touch activation – circular



Base Model Number (must specify):

- PZ639 6-user Sanispray® - touch button controlled
- PZ854 8-user Sanispray® - touch button controlled

Supply (must specify):

- 1 Tempered or cold water
- 2 Thermostatic mixing valve (hot & cold water)

Soap Option (must specify):

- N No soap dispenser
- L Liquid soap dispenser
- B Soap bracket for soap dispenser by others

Pedestal Options (must specify):

- BP Black powder coated pedestal
- SP Stainless steel pedestal
- JH Powder coated junior height pedestal (rim ±26")
- JS Stainless steel junior height pedestal (rim ±26")
- EH Powder coated extra high pedestal (rim ±39")
- ES Stainless steel extra high pedestal (rim ±39")

Bowl (must specify):

- SB Stainless Steel Bowl
- AW Ash White - Solid Surface Bowl
- DS Desert Sand - Solid Surface Bowl
- MB Midnight Blue - Solid Surface Bowl
- MG Misty Grey - Solid Surface Bowl
- TG Twilight Grey - Solid Surface Bowl

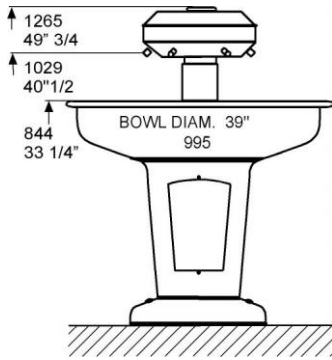
Quick Connect Options:

- 22FLEXDR Flexible drain connector
- (1)P3020 Stainless steel flexible supply (no mixing valve)
- (2)P3020 Stainless steel flexible supplies (with mixing valve)

Other Options:

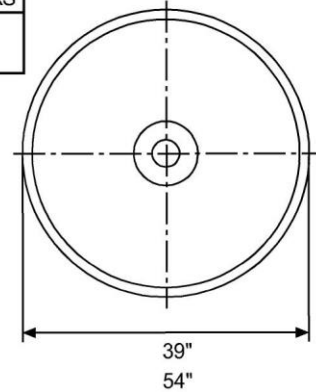
- S Stainless steel shroud (39 3/8")
- TDF Towel dispenser (3 pieces – order with shroud)
- HBL Hose bib left side
- HBR Hose bib right side
- FC Pre-programmed 24 hr flushing cycle
- 0.35 0.35 gpm nozzles

39" Circular Bowl

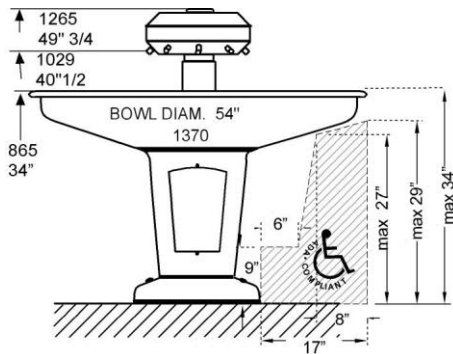


PZ639

SIZE	USERS
39"	6
54"	8



54" Circular Bowl



PZ854

Approved by Engineer/Architect

Job Name _____

Date _____

Model _____

Quantity _____

Title _____

Signature _____