

# ALSA180 - Behavioral Healthcare Lavatory

- Ligature resistant design
- Sensor or piezo activation
- Normalizes the environment
- To be used with chase behind the wall
- Heavy duty solid surface
- Highly vandal resistant
- Hygienic and easily cleaned

## DESIGN

The ALSA wash basin is cast as a single piece solid surface and includes an integral faucet head. It is a ligature resistant and highly vandal resistant which makes it perfectly suited for behavioral healthcare applications.

The ALSA wash basin comes with hidden activations and is intended for through wall installation.

Water can be activated by dual electronic piezo touch buttons, or infrared sensors. The water is dispensed via hot and cold aerated outlets or via a single tempered/cold water outlet.

The ALSA wash basin is extremely tough, being made from the highest grade solid surface materials. This makes it ideal for high security healthcare environments where ligature and vandal resistance are preferred.

## WATER MANAGEMENT

The water is most effectively managed by Wallgate by Intersan's comprehensive WDCA range of electronic controllers in conjunction with the piezo or sensor activation of the ALSA wash basin.

The electronic controllers include timed flow, flow regulators and lockout programs. Flow restrictors ensure that the flow of water is precisely regulated allowing to contribute to LEED credits.

## INCLUDED

- Washbasin
- Controls (sensor or piezo)
- Solenoid valve
- Cable to control box



WARNING: Cancer and Reproductive Harm  
[www.P65Warnings.ca.gov](http://www.P65Warnings.ca.gov)



ALSA-180W

## TECHNICAL SPECIFICATIONS

- Drainsize: 1 1/4"
- Supplies: 1/2" NPT Female
- ISO EN 19712-3-2007 rated 5 for durability, stain resistance, cigarette burns, etc
- Weight: 39.68 lbs
- Water pressure: 44 psi to 145 psi
- Water usage: 0.5 gpm (factory set)
- Footprint in front of the wall (W x D): 18 1/2" x 11 7/8"
- Color: polar white, high polished

## MODEL SELECTION

### Base Model (must specify)

- ALSA Behavioral Care Lavatory

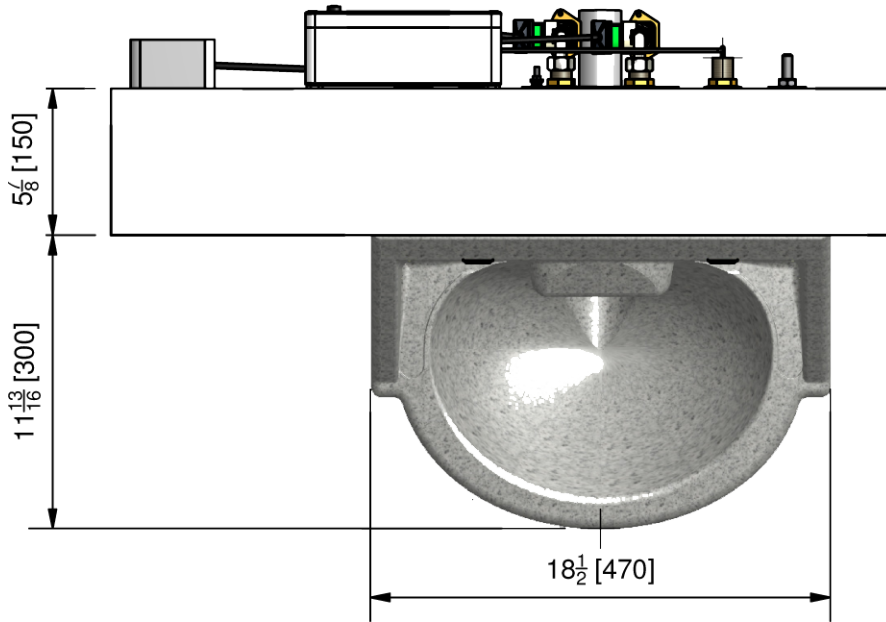
### Activation (must specify)

- 180W Dual outlets, piezo activation
- 180W-IR Dual outlets, sensor activation
- 181W Single outlet, piezo activation
- 181W-IR Single outlet, sensor activation

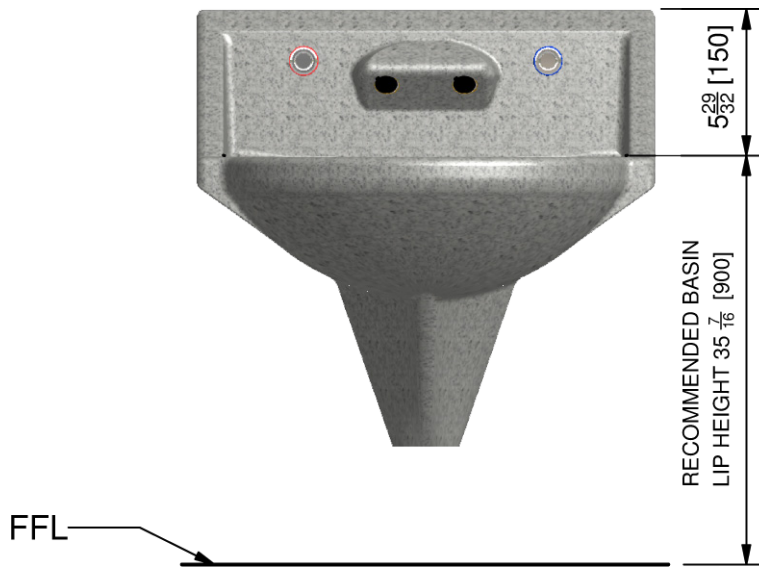
### Options

- TMV Thermostatic mixing valve
- WDCA100 Electronic water control (4 valves)
- WDCA200 Electronic water control (8 valves)

TOP VIEW

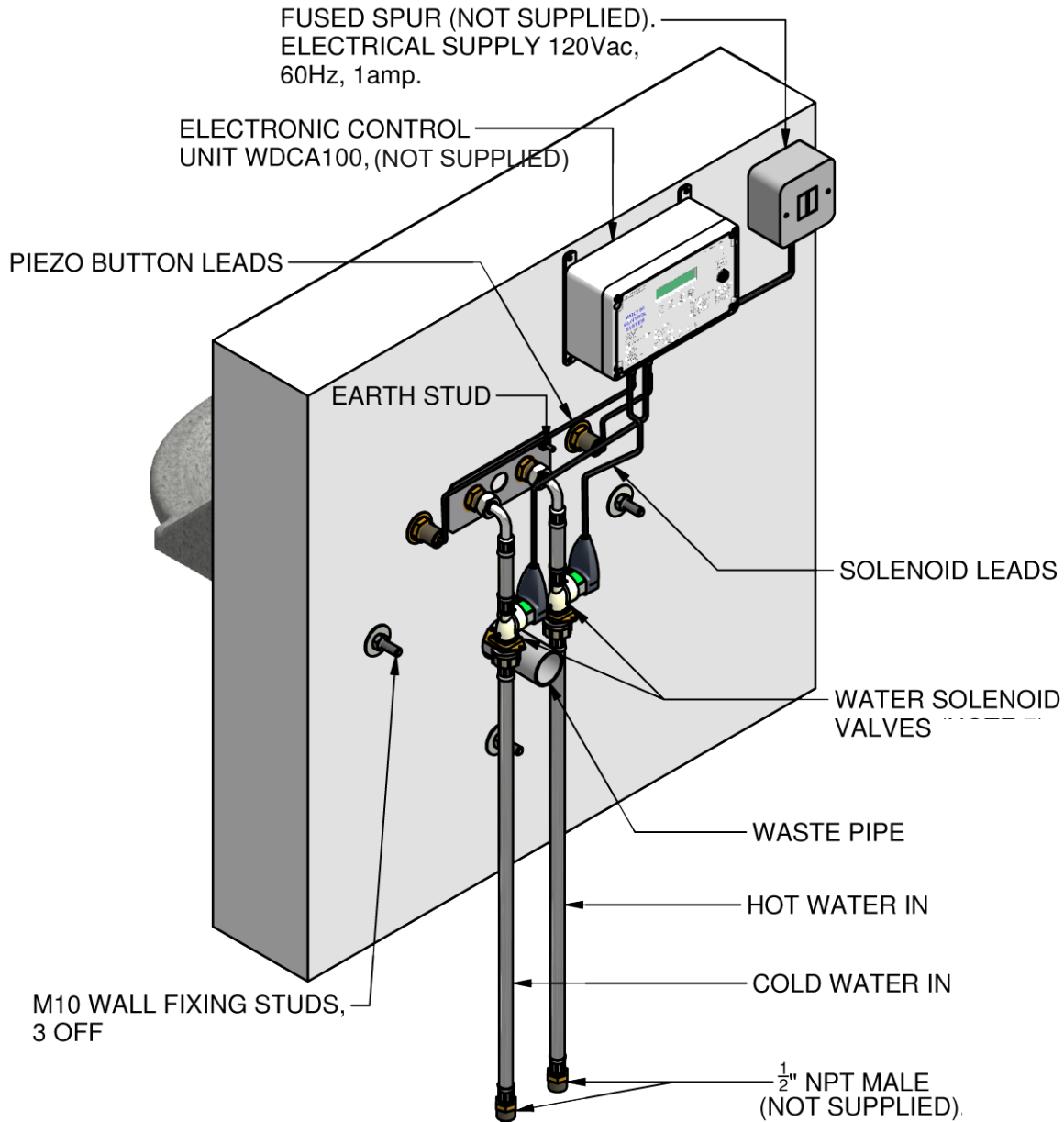


FRONT VIEW

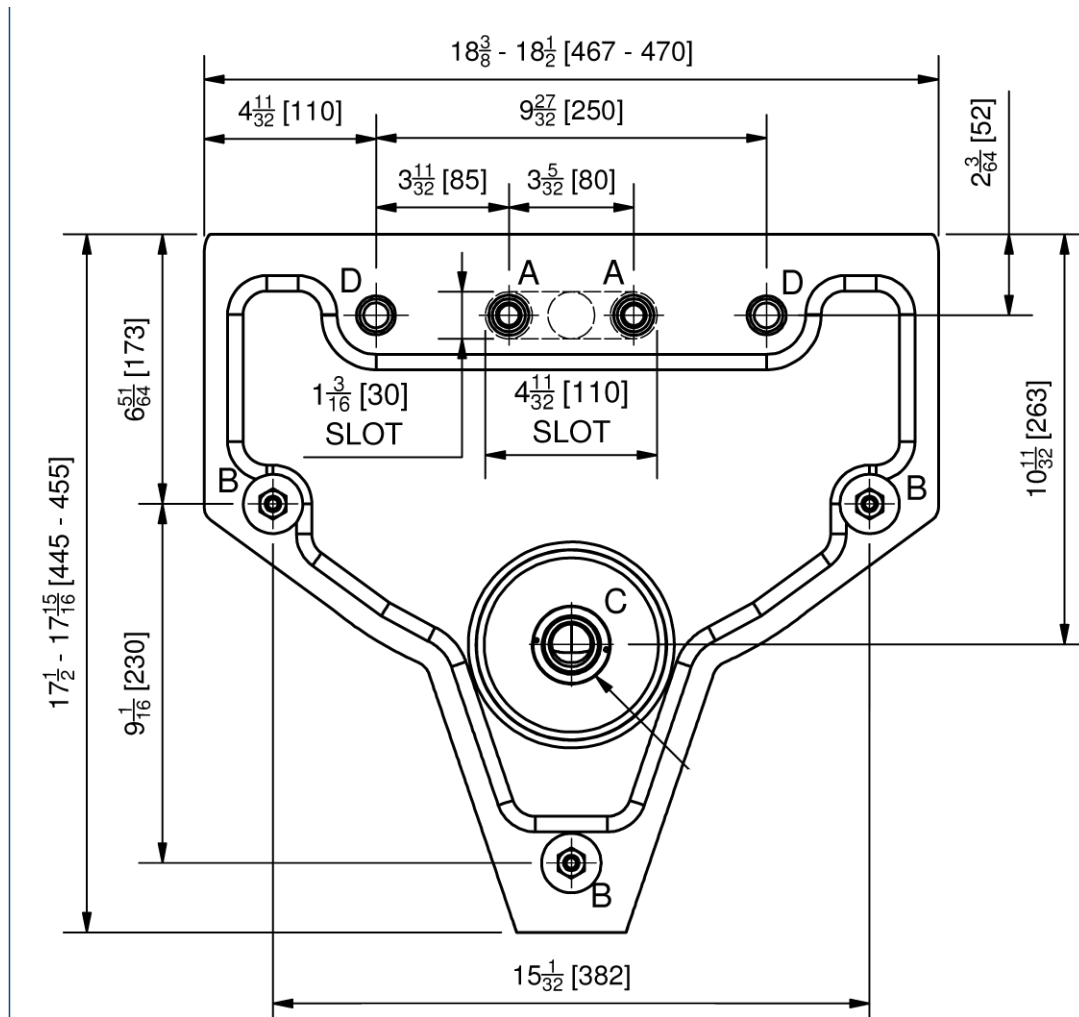


TYPICAL INSTALLATION

PLUMBING AND ELECTRICAL SERVICES



ROUGH-IN FOR OPENING IN WALL



- (A) Slot for water pipes: 1 3/16" X 4 11/32"  
(alternatively on or two holes of ø1" to ø1 3/16")
- (B) Holes for mounting lavatory: ø9/16" to 13/16"
- (C) Opening for drain: ø2 3/4" (the wall hole size specified here for the waste pipe allows enough clearance for a pipe fall of 1°).
- (D) Opening for push buttons: ø1" to ø1 3/16".