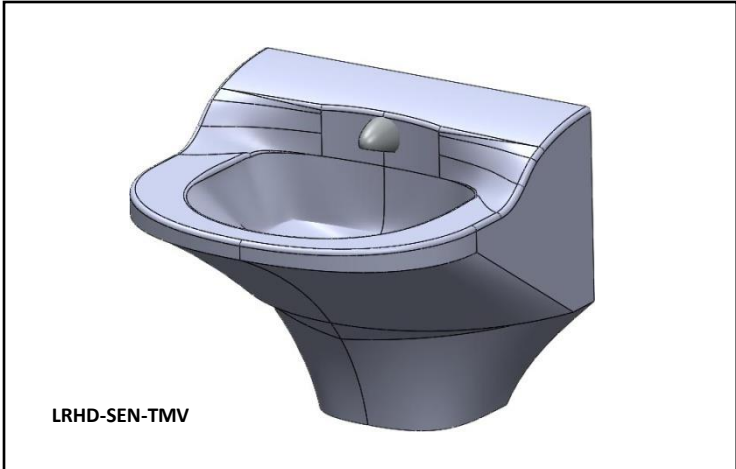


- Skirt and bowl made from anti-bacterial Solidsan;
- ADA-compliant & TAS Compliant;
- 5 year warranty on material, 3 year warranty on components.

LRHD  
TECHNICAL INFORMATION



**Material & Construction**

The Saniwave LRHD sink and skirt are made from anti-microbial Solidsan. Solidsan is a composite material of acrylic polyester polymer resins and aluminum trihydrate fillers. The material is resistant to stains and burns and complies with ANSI Z124.3. Solidsan® cleans easily with Scotchbrite®, household cleaners or fine grit sandpaper. Solidsan® is available in 16 colors.

The Saniwave LRHD includes heavy gauge stainless steel support brackets. The Saniwave LRHD is supplied with one 1 ½” stainless steel grid strainer.

**Anti-microbial**

The Solidsan bowl and skirt are manufactured with an anti-microbial agent. The agent is present both on the surface and on the inside of the material and will not dissipate or scratch off. In contact with moisture, anti-microbial ions will be released and effectively kill bacteria.

**Standard Equipment:**

Countertop and skirt in anti-bacterial solid surface material, steel mounting bracket, and tail piece.

**Optional Equipment:**

The ligature resistant units can be supplied with a choice of piezo touch activation or sensor activation.

**Application**

The Saniwave Rx is intended exclusively for hand washing. It is not designed to dispense water for drinking or use in the preparation of food and beverages.



**LEED Compliance**

When supplied with Intersan’s faucets, The Saniwave Rx contributes to meeting LEED requirements in the following categories:

- WEp1 - Water Efficiency
- WEc3 - Water Use Reduction

Each nozzle has a flow rate of 0.35 gpm. The water cycle for the piezo operated units lasts 10 seconds which means that 0.058 gallons of water is used per cycle.

**Accessibility**

Standard Height: The Saniwave Rx is designed to meet all ADA and TAS guidelines when mounted at the standard rim height of 34”.

The wash basin is compliant with ADA requirements for operation.

**Drain size** is 1 ½”

**Warranty:** 5 years limited warranty on material and 3 years limited warranty on components.

**SAMPLE SPECIFICATION**

Fixture shall be Intersan Saniwave LRHD single user hand wash station. Countertop and skirt are made from anti-microbial solid surface. The unit is activated by (lighted) piezo touch button/sensor. The unit has a ligature resistant strainer.

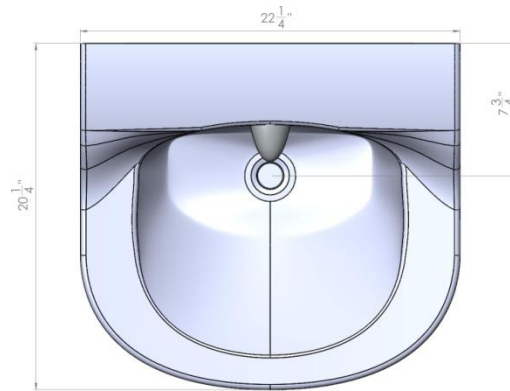


WARNING: Cancer and Reproductive Harm  
[www.P65Warnings.ca.gov](http://www.P65Warnings.ca.gov)

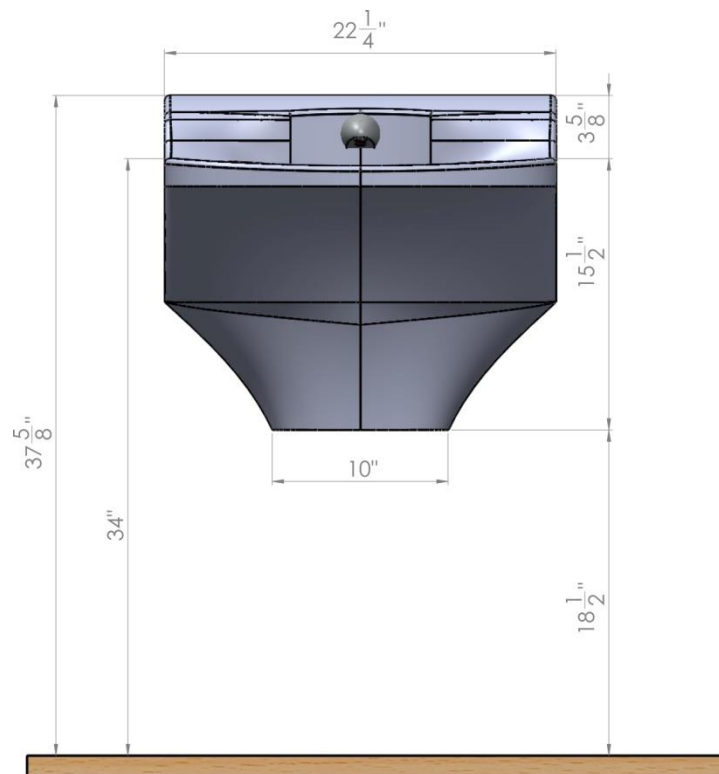
LRHD - Series  
**Saniwave Rx** – Ligature Resistant Heavy Duty



Top View

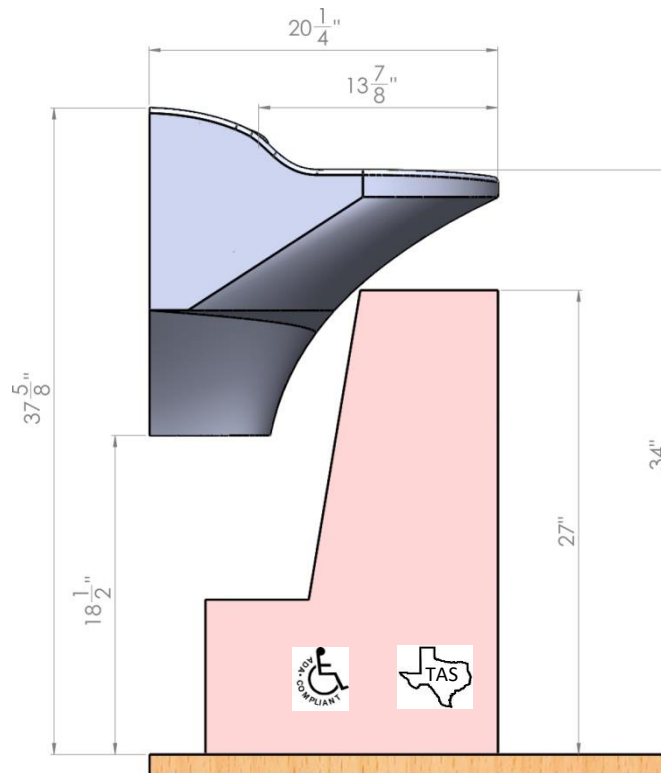


Front View

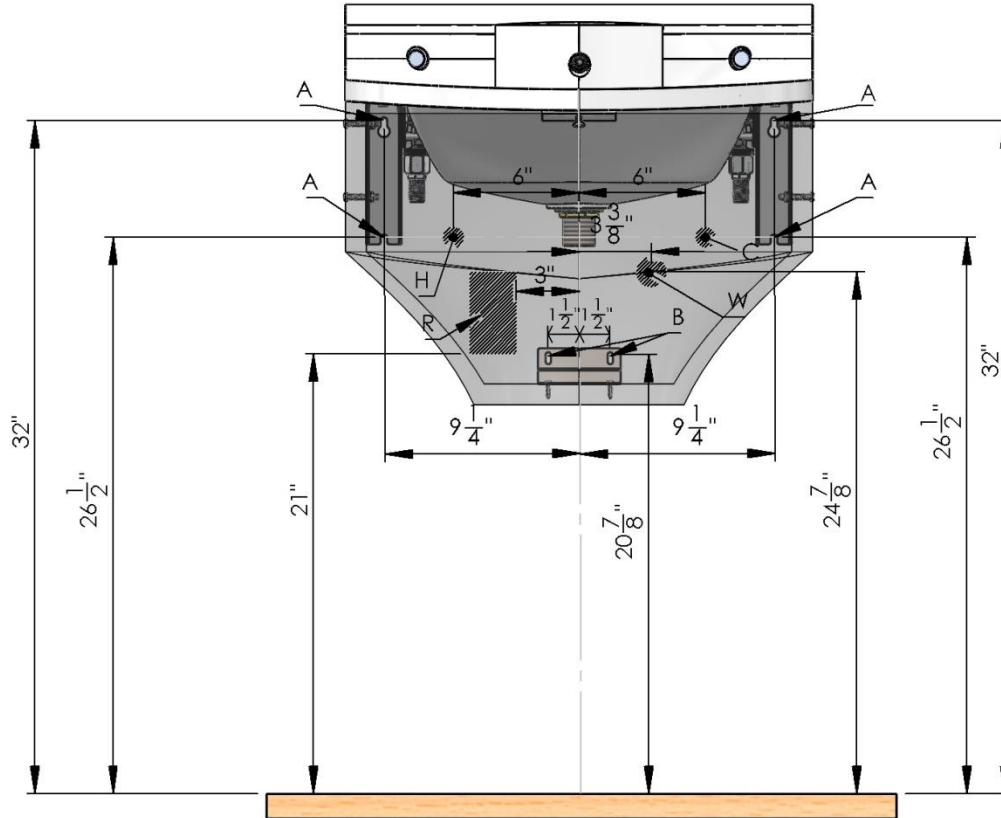


All information including dimensions, changes in design and material are subject to manufacturer's change without formal notice and without obligation. Intersan assumes no responsibility for use of superseded or voided information. Verify all rough-in information before installation. It is the responsibility of the installer to conform with local and national codes.

Side View Standard Height



Rough-in Dimensions LRHD



Code	Description
A	1/4" Anchors for countertop with a pull out strength of min. 1000 lbs.
B	1/8" Anchors for skirt
W	1 1/2" NPT Drain, stub out 2"
C	1/2" copper tubing for cold supplies, stub out 2" from wall
H	1/2" copper tubing for hot supplies, stub out 2" from wall
R	110V GFCI outlet

Height Adjustments

Standard	Rim Height	Adjustment of height for A, B, C, H, R & W
ADA & TAS Adult	34"	None

LRHD - Series  
**Saniwave Rx** – Ligature Resistant Heavy Duty



<b>Base Model Number (must specify)</b>	
<input type="checkbox"/> LRHD-	Saniwave Rx – Ligature Resistant Heavy Duty
<b>Operation (must specify):</b>	
<input type="checkbox"/> -PS1	One piezo activation for cold or tempered water (battery only)
<input type="checkbox"/> -PL1	One lighted piezo button for cold or tempered water (hardwire only)
<input type="checkbox"/> -PS2	One piezo activation for cold and one for warm water (battery only)
<input type="checkbox"/> -PL2	One lighted piezo activation for cold and one lighted for warm water (hardwire only)
<input type="checkbox"/> -SEN	Sensor activation (hardwire or battery)
<b>Mixing Valve:</b>	
<input type="checkbox"/> -TMV	Thermostatic mixing valve
<b>Colors (must specify):</b>	
<b>Standard Colors:</b>	
<input type="checkbox"/> -AB	Adobe brown
<input type="checkbox"/> -AW	Ash white
<input type="checkbox"/> -CG	Country Green
<input type="checkbox"/> -DS	Desert sand
<input type="checkbox"/> -MB	Midnight blue
<input type="checkbox"/> -MG	Misty grey
<input type="checkbox"/> -PB	Pearl black
<input type="checkbox"/> -TG	Twilight grey
<b>Designer Colors:</b>	
<input type="checkbox"/> -AL	Almondine
<input type="checkbox"/> -BW	Birch Wood
<input type="checkbox"/> -CB	Canyon Brown
<input type="checkbox"/> -CC	Chocolate Chip
<input type="checkbox"/> -DE	Desert Snow
<input type="checkbox"/> -GW	Glacier White
<input type="checkbox"/> -LB	Lotus Blossom Green
<input type="checkbox"/> -GW	Glacier White
<input type="checkbox"/> -NB	Neptune Blue
<input type="checkbox"/> -OW	Oyster White
<input type="checkbox"/> -RR	River Rock
<input type="checkbox"/> -TB	Tranquil Blue
<b>Solid Colors:</b>	
<input type="checkbox"/> -BI	Biscuit
<input type="checkbox"/> -CO	Country Grey
<input type="checkbox"/> -DB	Designer Black
<input type="checkbox"/> -PW	Polar White
<b>Other Options:</b>	
<input type="checkbox"/> -HW	Low voltage class II transformer with plug
<input type="checkbox"/> -LAM10	Laminar Nozzle – 1.0 GPM
<input type="checkbox"/> -LAM15	Laminar Nozzle – 1.5 GPM
<input type="checkbox"/> -LAM22	Laminar Nozzle – 2.2 GPM