

CWC-150 - Behavioral Healthcare Toilet

- Ligature resistant design
- Designed for seatless use
- Normalizes the environment
- Dark grey integral seat
- Heavy duty solid surface
- Highly vandal resistant
- Hygienic and easily cleaned

DESIGN

The CWC-150 series is a ligature and vandal resistant solid surface back-to-wall toilet. It comes with hidden activations and is intended for through wall installation.

The toilet is designed with a non-moving integral ligature resistant dark grey toilet seat that enhances a normalized environment.

The CWC-150 is extremely tough, being made from the highest grade solid surface material. The CWC range of toilets has been used throughout secure environments for over 10 years.

FLUSHING

The CWC-150 toilet is designed for up 1.58 gallon flushes.

The CWC-150 is compatible with all flush methods and can be activated by mechanical, electronic, pneumatic or infrared methods.

Flush control is most effectively managed by Wallgate by Intersan's WDCA range of electronic controllers which include dual flush, timed flow and lockout programs, enabling maximum contribution to LEED credits.



CWC-150-AST

INCLUDED

- Toilet
- Straight waste adaptor
- Inlet seal
- Mounting hardware

TECHNICAL SPECIFICATIONS

- Drainsize: 4"
- Flush pipe inlet: 1 1/2" pipe and seal
- ISO EN 19712-3-2007 rated 5 for durability, stain resistance, cigarette burns, etc
- Use of flushvalve by others: requires a waterflow between 0.48 and 0.52 gal/sec
- Color: pan - polar white, seat - dark grey (both high polished)



WARNING: Cancer and Reproductive Harm
www.P65Warnings.ca.gov

MODEL SELECTION

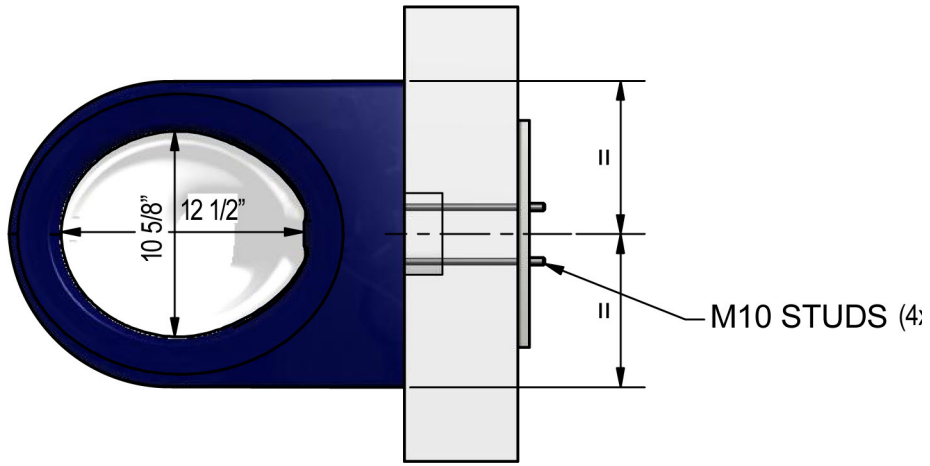
Base Model (must specify)

- CWC150-AST Behavioral care toilet with integral solid surface seat

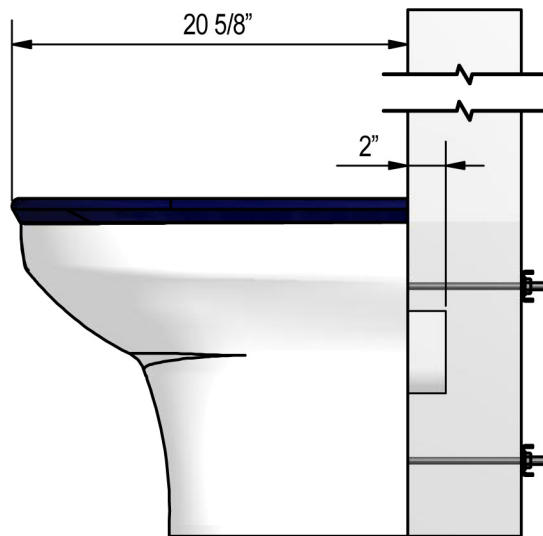
Options:

- DFKIT03-2 Flush valve with dual flush piezo touch button
- DFKIT03-1 Flush valve with single flush piezo touch button
- DFKIT03-IR-1 Flush valve with dual flush sensor control
- DFKIT03-IR Flush valve with single flush sensor control
- WDCA100 Electronic water control (4 valves)
- WDCA200 Electronic water control (8 valves)

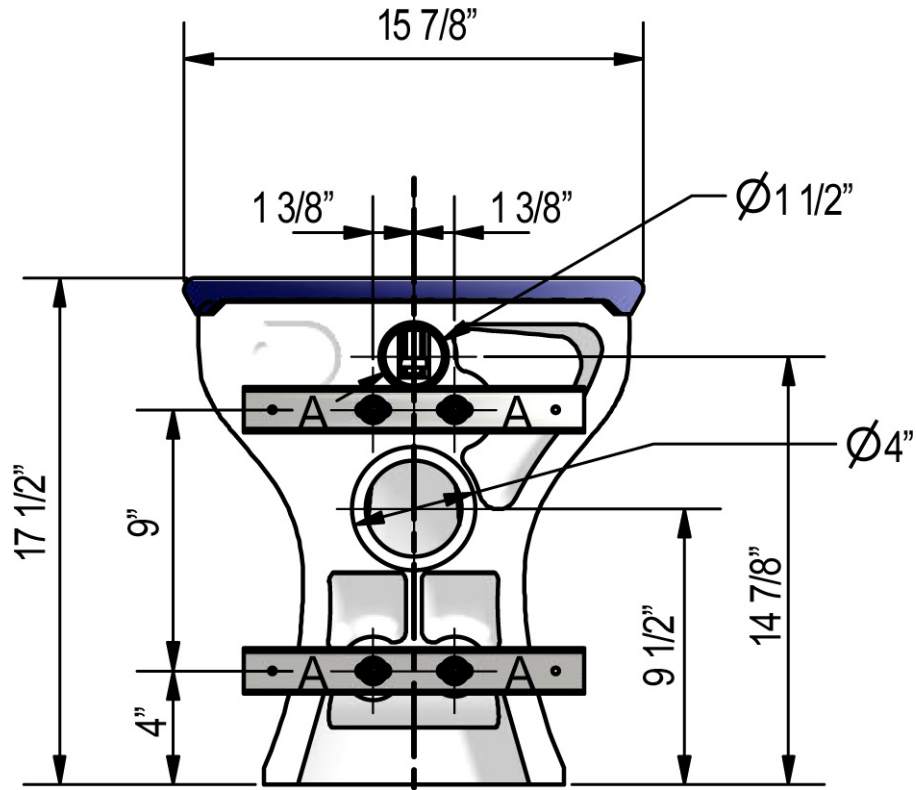
TOP VIEW



SIDE VIEW



THROUGH THE WALL ROUGH-IN



(A) Holes for anchoring lavatory: $\varnothing 9/16''$ to $13/16''$

Note: Some of the Intersan's product range requires bonding together to meet customer requirements e.g. WC Pan with a bonded Solid Surface seat. While every effort is made to minimise the visible join line between two parts through sanding and finishing, a visible join line will remain.

- Maximum permitted thickness of join line between two parts will be 1/4"
- Possible deviation of the join line is acceptable but will not exceed the permitted thickness of 1/4"