



40691

TECHNICAL INFORMATION

- Bright chrome plated brass
- Front or rear mounted
- 1/2" NPT female
- 14-72 psi
- 1.32 gpm

CONSTRUCTION

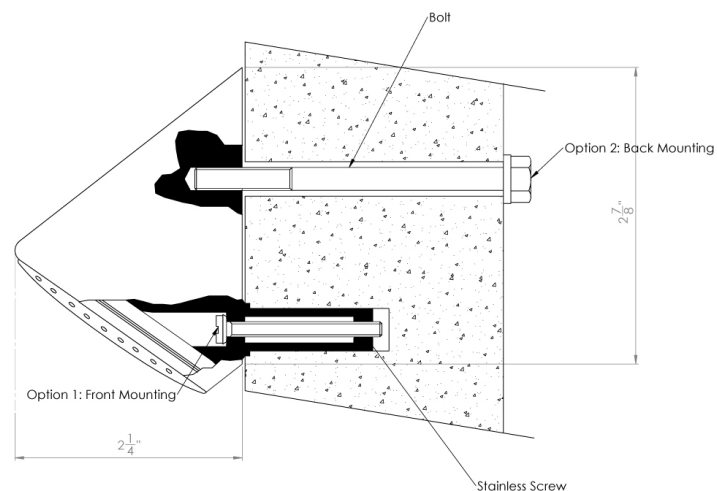
The shower head is constructed of solid DR brass with vandal resistant face screws.

The mounting plate is made from stainless steel.

MAINTENANCE AND CLEANING

Chrome plated fixtures should be cleaned with a soft damp cloth using only mild liquid detergent or soap and water. Do not use cleaning agents containing a corrosive acid, scouring agent or solvents. Do not use cream cleaners as they are abrasive. Use of unsuitable cleaning agents may damage the surface. Any damage caused in this way will not be covered by warranty.

Regular maintenance should be carried out in accordance with the installation and troubleshooting guides provided with the product, relevant standards, local authorities and state codes.



MODEL SELECTION

Base Model (must specify)

- 40694 Behavioral healthcare showerhead

