

Shower Head ligature resistant



DESCRIPTION

- Ligature resistant shower head.
- Water usage: 1.5 gpm.
- Direction of water flow can be adjusted.
- Chromed brass body.
- Shower head designed to help prevent lime scale build-up.
- Vandal resistant.
- Water supply M 1/2" (European)

ADVANTAGES



Helps prevent the build-up of lime scale



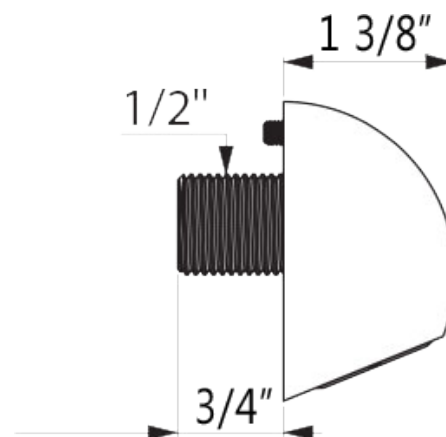
Water flow 1.5 gpm



Chromed brass construction. Ligature resistant shape

TECHNICAL CHARACTERISTICS

Thread	M 1/2" (Euro)
Dimensions (H x D)	2 3/8" x 1 3/8"
Water usage	1.5 gpm
Warranty	10 year limited



WARNING: Cancer and Reproductive Harm
www.P65Warnings.ca.gov