

- Skirt and bowl made from anti-bacterial Solidsan
- ADA-compliant & TAS Compliant
- 5 year warranty on material, 3 year warranty on components

ICSD-Series
TECHNICAL INFORMATION

Material & Construction

The Saniwave ALIC sink and skirt are made from anti-microbial Solidsan. Solidsan is a composite material of acrylic polyester polymer resins and aluminum trihydrate fillers. The material is resistant to stains and burns and complies with ANSI Z124.3. Solidsan® cleans easily with Scotchbrite®, household cleaners or fine grit sandpaper. Solidsan® is available in 16 colors. The

The Saniwave ICSD includes heavy gauge stainless steel support brackets. The Saniwave ICSD is supplied with one chromed 1 ½” brass grid strainer.

Anti-microbial

The Solidsan bowl and skirt are manufactured with an anti-microbial agent. The agent is present both on the surface and on the inside of the material and will not dissipate or scratch off. In contact with moisture, anti-microbial ions will be released and effectively kill bacteria.

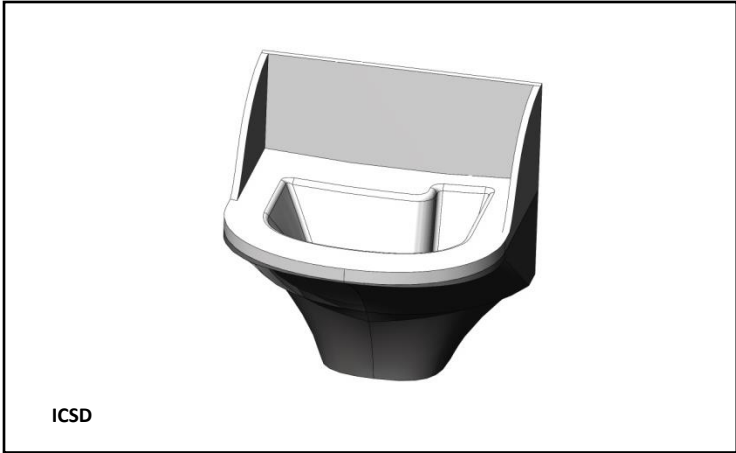


Standard Equipment:

Countertop and skirt in anti-bacterial solid surface material, steel mounting bracket, and tail piece.

Application

The Saniwave Rx is intended exclusively for hand washing. It is not designed to dispense water for drinking or use in the preparation of food and beverages.



ICSD

LEED Compliance

When supplied with Intersan’s faucets, The Saniwave Rx contributes to meeting LEED requirements in the following categories:

- WEp1 - Water Efficiency
- WEc3 - Water Use Reduction

Each nozzle has a flow rate of 0.5 gpm. The water cycle for the pushbutton operated units lasts 10 seconds which means that 0.083 gallons of water is used per cycle.

Accessibility

Standard Height: The Saniwave Rx is designed to meet all ADA and TAS guidelines when mounted at the standard rim height of 34”.

The wash basin is compliant with ADA requirements for operation.

Drain size is 1 ½”

Warranty: 5 years limited warranty on material and 3 years limited warranty on components.

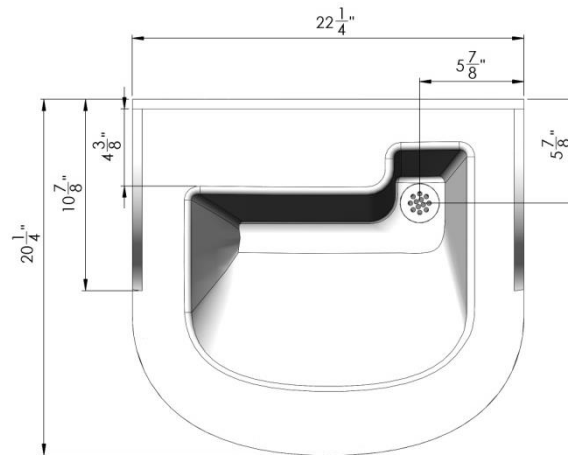
SAMPLE SPECIFICATION

Fixture shall be Intersan Saniwave Rx ALIC single user hand wash station. Countertop and skirt are made from anti-microbial solid surface.

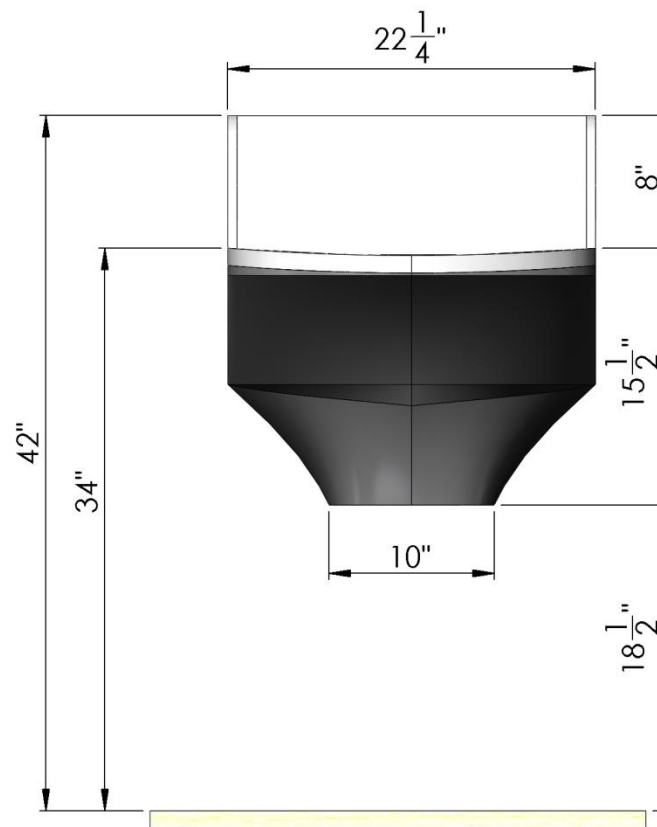


WARNING: Cancer and Reproductive Harm
www.P65Warnings.ca.gov

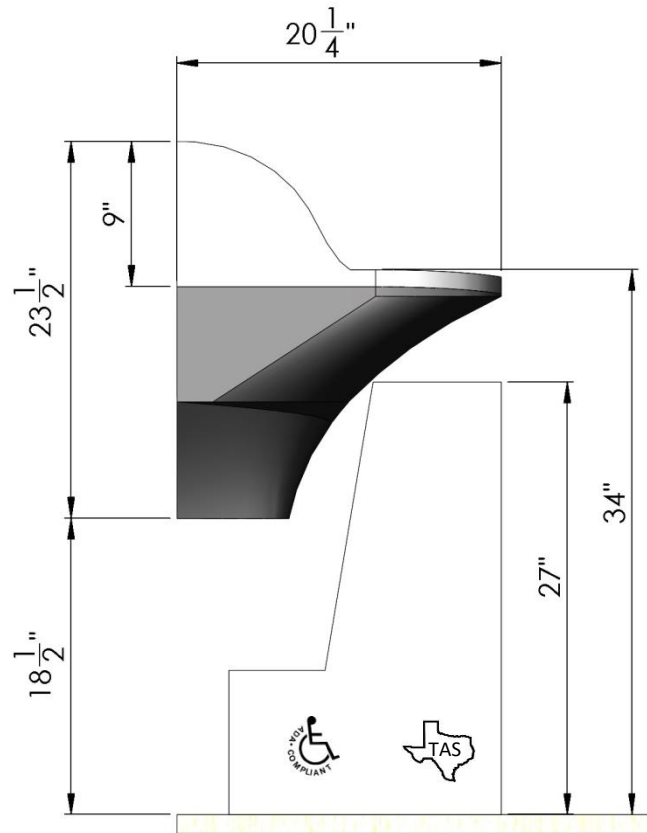
Top View



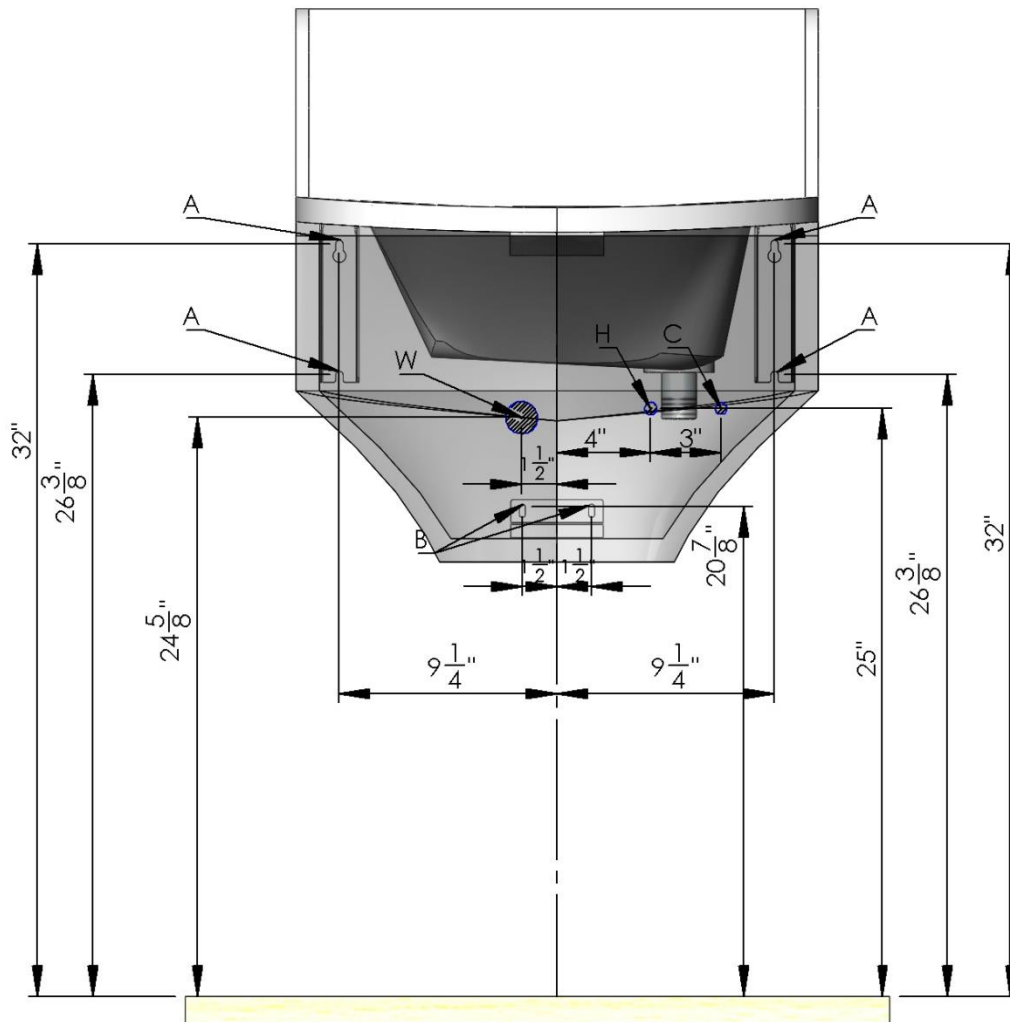
Front View



Side View Standard Height



Rough-in Dimensions ICSD



| Code | Description |
|------|--|
| A | 1/4" Anchors for countertop with a pull out strength of min. 1000 lbs. |
| B | 1/4" Anchors for skirt |
| W | 1 1/2" NPT Drain, stub out 2" |
| S | 1/2" copper tubing for hot& cold supplies, stub out 2" from wall |

Height Adjustments

| Standard | Rim Height | Adjustment of height for A, B, C, H, R & W |
|-----------------|------------|--|
| ADA & TAS Adult | 34" | None |

Base Model Number (must specify)

- ICSD- Saniwave Rx – Infection Control compact

Faucet:

- DEK No faucet
- U270310 Santronic mixer with high fixed spout
- U270320-U270110 Santronic mixer with stainless steel removable spout (2 spouts supplied)
- U270320-U270120 Santronic Mixer with removable and disposable spout (15 spouts supplied)
- U270320-U270030 Santronic Mixer with removable and disposable **filter** spout (10 spouts supplied)

Colors (must specify):

Standard Colors:

- AB Adobe brown
- AW Ash white
- CG Country Green
- DS Desert sand
- MB Midnight blue
- MG Misty grey
- PB Pearl black
- TG Twilight grey

Designer Colors:

- AL Almondine
- BW Birch Wood
- CB Canyon Brown
- CC Chocolate Chip
- DE Desert Snow
- GW Glacier White
- LB Lotus Blossom Green
- GW Glacier White
- NB Neptune Blue
- OW Oyster White
- RR River Rock
- TB Tranquil Blue

Solid Colors:

- BI Biscuit
- CO Country Grey
- DB Designer Black
- PW Polar White