

Wash Basin

11-Series – Single user



- Fast and easy installation
- Durable and sturdy construction
- Seamless
- ADA-compliant models
- Perfect for narrow washrooms

11 – Wash Basin TECHNICAL INFORMATION

Material & Construction

The wash basin is constructed of type 304 stainless steel, with a #4 satin finish. The sides of the wash basin are 16 gauge, the basin is 19 gauge.

The sidewalls of the wash basin are seamlessly welded from within. The benefit to the elimination of any interior seams is that it removes hidden locations where bacteria can form. To assist in maintaining the wash basin, it has been designed without any horizontal surfaces for unsightly water to collect. All interior corners of the basin are more than 90 degrees, which promotes rapid drainage to the center of the basin.

The drain strainer is fully seamless and is an integral part of the wash basin.

Dimensions

The single user wash basin measures 24 1/4" x 19 1/4" x 16 7/8" (616 mm x 490mm x 430mm).

Faucet Options



Application

The wash basin 11 is intended for exclusively for hand washing. It is not designed to dispense water for drinking or use in the preparation of food and beverages.

Base Model Number (must specify):

- 11 Single user wash basin

Faucet/Supply (must specify):

- Z01 No faucet, no supply
- Z02 with pre-assembled supply manifold, 1/2" female iron pipe
- M01 Cold water quarter turn faucet
- M02 Cold water faucet
- M03 Pushbutton faucet
- M04 Blade handle faucet
- M05 Hot & cold mixing faucet
- M08 Pushbutton mixing faucet
- M13 Sensor faucet
- M14 Sensor faucet with removable spout


Options:

- HW Plug-in transformer
- A2 Standard soap tray
- A3 Bracket for mounting soap dispensers by others
- TMV Thermostatic mixing valve



WARNING: Cancer and Reproductive Harm
www.P65Warnings.ca.gov

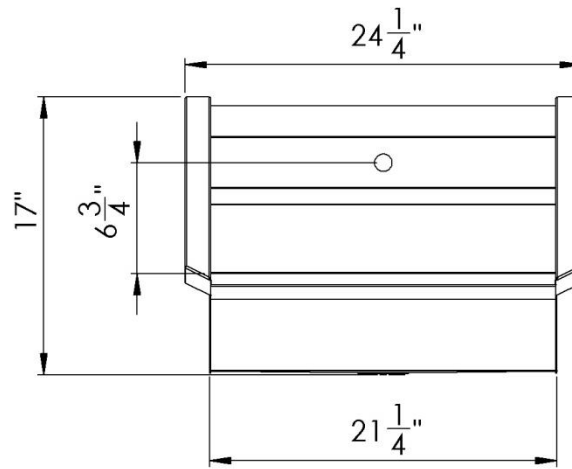
Accessibility

 The wall hung wash basin is compliant with ADA, TAS, CAL and UFAS for reach and clearance when hung at the correct height from a finished floor. When used in combination with the sensor or blade handle faucet, the wash basin is compliant with ADA requirements for operation.

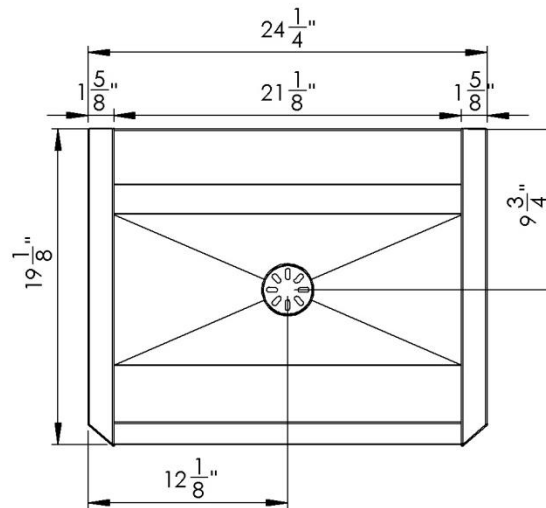
Warranty: 1 year (limited)

Intersan Manufacturing Company
1748 West Fillmore Street
Phoenix, AZ 85007
Phone: (800) 999-3101 – Fax: (602) 254-1776
IntersanUS.com

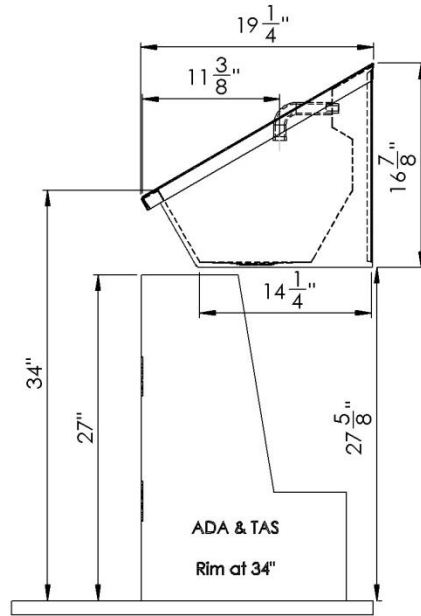
FRONT VIEW



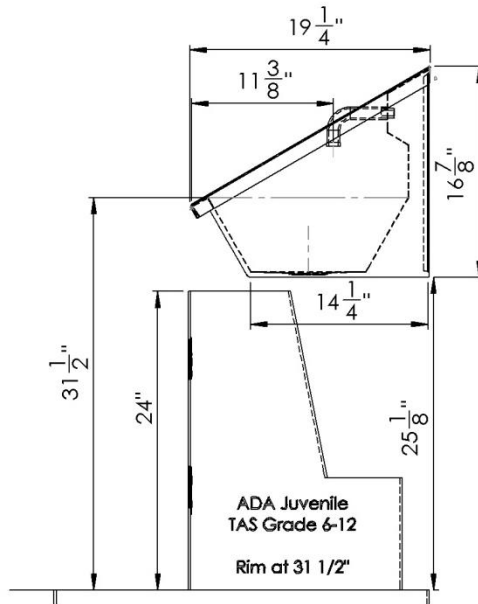
TOP VIEW



ADA & TAS Adult
(Shown with M13- faucet)



ADA Juvenile & TAS Grade 6-12
(Shown with M13- faucet)



Rough-in (at rim height 34")

