

Flotronic shower pan 36"x36"

Material & Construction

The shower pan is made from anti-microbial Solidsan®. Solidsan® is a composite material of acrylic polyester polymer resins and aluminum trihydrate fillers. The material is resistant to stains and burns and complies with ANSI Z124.3. The shower pan is available in 9 colors.

The shower pan is compliant with National Building Standards Code The shower includes a slip resistant textured pattern floor surface that complies with the requirements of ASTM F 462-1994.

The shower pan includes an integral water dam and drain. The pan has a minimum of 1/4" per foot slope. The slope is specifically designed to slope away from the shower entrance.

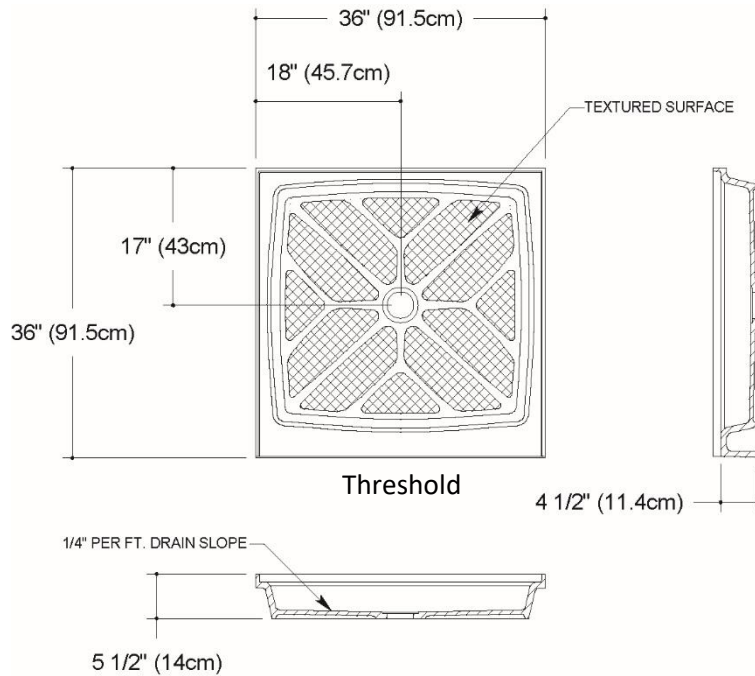
Anti-microbial

The Solidsan® shower pan is manufactured with an anti-microbial agent. The agent is present both on the surface and on the inside of the material and will not dissipate or scratch off. In contact with moisture, anti-microbial ions will be released and effectively kill bacteria.

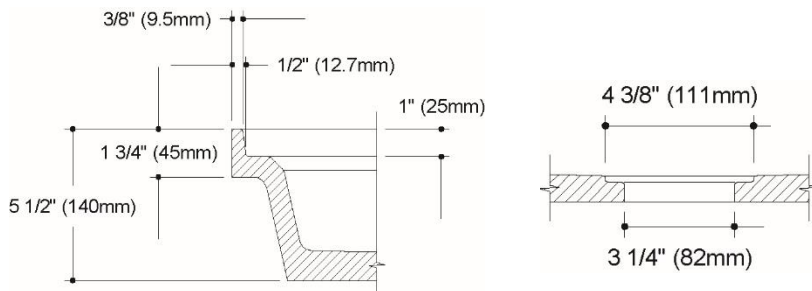


Maintenance

Stubborn stains and superficial scratches can be cleaned with an abrasive cleaner and a wet sponge. You can also use a green Scotch Brite® pad. For surface staining soapy water or ammonia based cleansers are recommended.



WARNING: Cancer and Reproductive Harm
www.P65Warnings.ca.gov



Base Model Number:

- FLOT3636** 36"x36" shower pan, threshold in front

Colors (must specify):

- AB** Adobe Brown
- AW** Ash White
- PW** Polar White
- CG** Country Green
- DS** Desert Sand
- MB** Midnight Blue
- MG** Misty Grey
- PB** Pearl Black
- TG** Twilight Grey

All information including dimensions, changes in design and material are subject to manufacturer's change without formal notice and without obligation. Intersan assumes no responsibility for use of superseded or voided information. Verify all rough-in information before installation. It is the responsibility of the installer to conform with local and national codes.