

Flotronic Shower pan rounded corner 36"x36"



Material & Construction

The shower pan is made from anti-microbial Solidsan®. Solidsan® is a composite material of acrylic polyester polymer resins and aluminum trihydrate fillers. The material is resistant to stains and burns and complies with ANSI Z124.3. The shower pan is available in 9 colors.

The shower pan is compliant with National Building Standards Code The shower includes a slip resistant textured pattern floor surface that complies with the requirements of ASTM F 462-1994.

The shower pan includes an integral water dam and drain. The pan has a minimum of 1/4" per foot slope. The slope is specifically designed to slope away from the shower entrance.

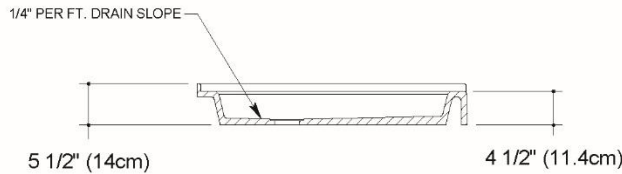
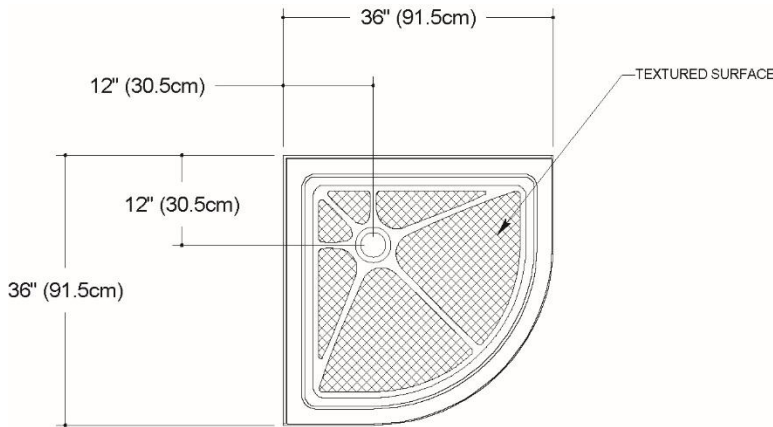
Anti-microbial

The Solidsan® shower pan is manufactured with an anti-microbial agent. The agent is present both on the surface and on the inside of the material and will not dissipate or scratch off. In contact with moisture, anti-microbial ions will be released and effectively kill bacteria.

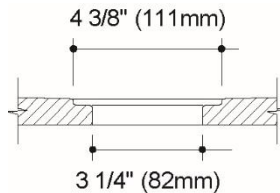
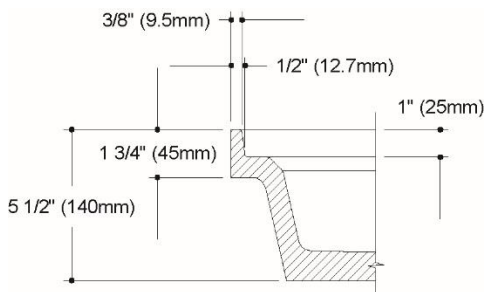


Maintenance

Stubborn stains and superficial scratches can be cleaned with an abrasive cleaner and a wet sponge. You can also use a green Scotch Brite® pad. For surface staining soapy water or ammonia based cleansers are recommended.



WARNING: Cancer and Reproductive Harm
www.P65Warnings.ca.gov



Base Model Number:

- FLOT3636RC** 36"x36" rounded corner shower pan

Colors (must specify):

- AB** Adobe Brown
- AW** Ash White
- PW** Polar White
- CG** Country Green
- DS** Desert Sand
- MB** Midnight Blue
- MG** Misty Grey
- PB** Pearl Black
- TG** Twilight Grey