

Flotronic Shower pan Neo corner 36"x36"



Material & Construction

The shower pan is made from anti-microbial Solidsan®. Solidsan® is a composite material of acrylic polyester polymer resins and aluminum trihydrate fillers. The material is resistant to stains and burns and complies with ANSI Z124.3. The shower pan is available in 9 colors.

The shower pan is compliant with National Building Standards Code. The shower pan includes a slip resistant textured pattern floor surface that complies with the requirements of ASTM F 462-1994.

The shower pan includes an integral water dam and drain. The pan has a minimum of 1/4" per foot slope. The slope is specifically designed to slope away from the shower entrance.

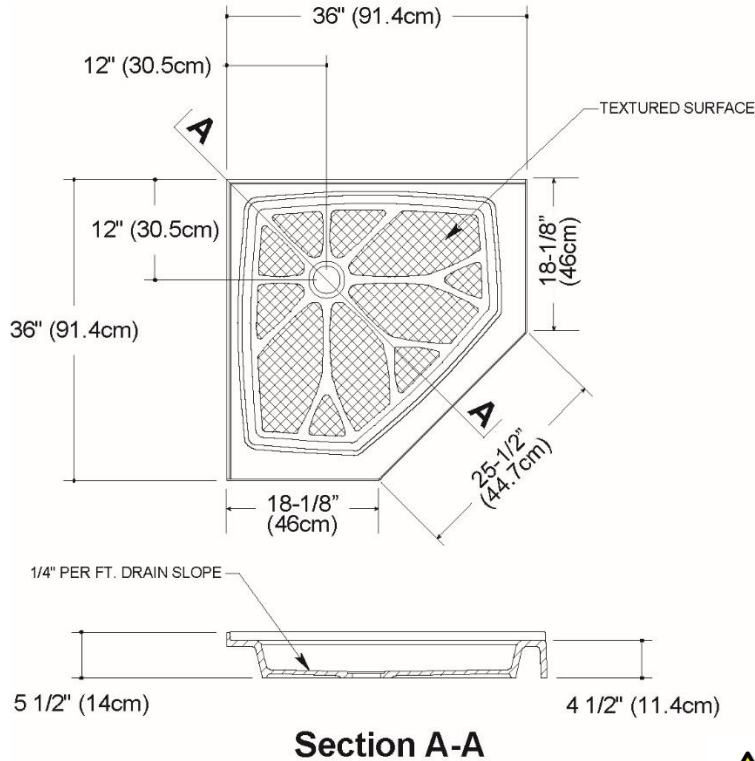
Anti-microbial

The Solidsan® shower pan is manufactured with an anti-microbial agent. The agent is present both on the surface and on the inside of the material and will not dissipate or scratch off. In contact with moisture, anti-microbial ions will be released and effectively kill bacteria.



Maintenance

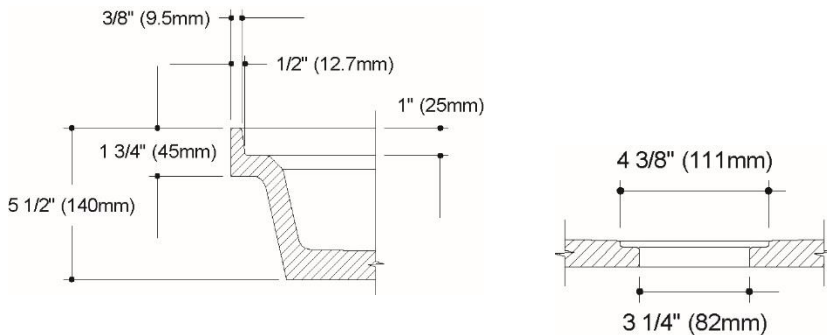
Stubborn stains and superficial scratches can be cleaned with an abrasive cleaner and a wet sponge. You can also use a green Scotch Brite® pad. For surface staining soapy water or ammonia based cleansers are recommended.



Section A-A



WARNING: Cancer and Reproductive Harm
www.P65Warnings.ca.gov



Base Model Number:	
<input type="checkbox"/> FLOT3636NC	36"x36" Neo corner shower pan
Colors (must specify):	
<input type="checkbox"/> -AB	Adobe Brown
<input type="checkbox"/> -AW	Ash White
<input type="checkbox"/> -PW	Polar White
<input type="checkbox"/> -CG	Country Green
<input type="checkbox"/> -DS	Desert Sand
<input type="checkbox"/> -MB	Midnight Blue
<input type="checkbox"/> -MG	Misty Grey
<input type="checkbox"/> -PB	Pearl Black
<input type="checkbox"/> -TG	Twilight Grey

All information including dimensions, changes in design and material are subject to manufacturer's change without formal notice and without obligation. Intersan assumes no responsibility for use of superseded or voided information. Verify all rough-in information before installation. It is the responsibility of the installer to conform with local and national codes.