

Flotronic ADA Shower pan 60"x30"



Material & Construction

The shower pan is made from anti-microbial Solidsan®. Solidsan® is a composite material of acrylic polyester polymer resins and aluminum trihydrate fillers. The material is resistant to stains and burns and complies with ANSI Z124.3. The shower pan is available in 9 colors.

The shower includes a slip resistant textured pattern floor.

The shower pan includes an integral water dam and drain. The pan has a minimum of 1/4" per foot slope. The slope is specifically designed to slope away from the shower entrance.

ADA

The shower pan complies with ADA requirements for thresholds. The shower pan has an integral short wheelchair ramp for wheel chair access.

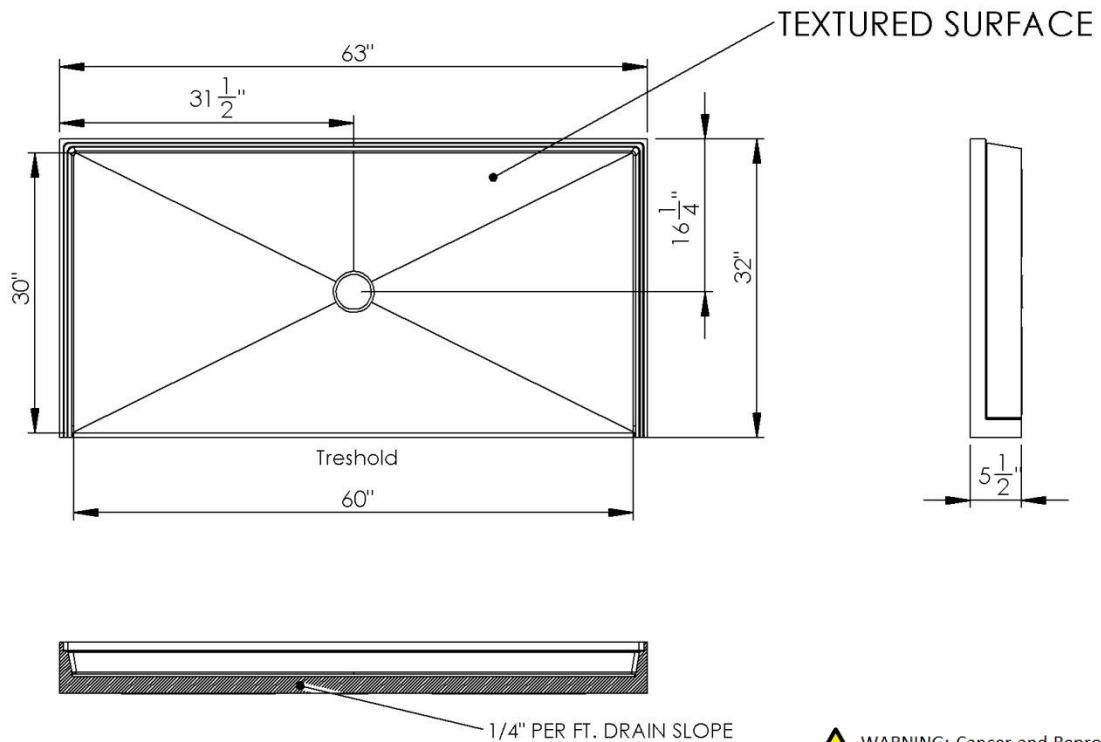
Anti-microbial

The Solidsan® shower pan is manufactured with an anti-microbial agent. The agent is present both on the surface and on the inside of the material and will not dissipate or scratch off. In contact with moisture, anti-microbial ions will be released and effectively kill bacteria.

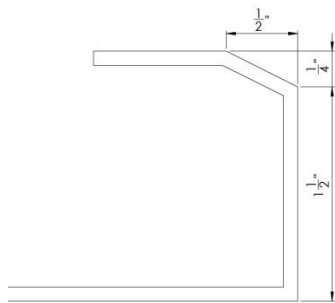


Maintenance

Stubborn stains and superficial scratches can be cleaned with an abrasive cleaner and a wet sponge. You can also use a green Scotch Brite® pad. For surface staining soapy water or ammonia based cleansers are recommended.



WARNING: Cancer and Reproductive Harm
www.P65Warnings.ca.gov



Threshold
Not to scale

Base Model Number:	
<input type="checkbox"/> FLO6030ADA	60"x30" shower pan, threshold in front, handicapped accessible
Colors (must specify):	
<input type="checkbox"/> -AB	Adobe Brown
<input type="checkbox"/> -AW	Ash White
<input type="checkbox"/> -BW	Bone White
<input type="checkbox"/> -CG	Country Green
<input type="checkbox"/> -DS	Desert Sand
<input type="checkbox"/> -MB	Midnight Blue
<input type="checkbox"/> -MG	Misty Grey
<input type="checkbox"/> -PB	Pearl Black
<input type="checkbox"/> -TG	Twilight Grey

All information including dimensions, changes in design and material are subject to manufacturer's change without formal notice and without obligation. Intersan assumes no responsibility for use of superseded or voided information. Verify all rough-in information before installation. It is the responsibility of the installer to conform with local and national codes.